



The Sign of Comfort

When ordering parts, always state:  
MODEL NO. - PRODUCT NO. - QUANTITY -  
PARTNUMBER - DESCRIPTION  
For Electric Details also state:  
VOLTAGE - WATTAGE

# RM2452 RM2453 REFRIGERATOR PARTS LIST

### SERVICE OFFICE

Dometic Corp.  
509 S. Poplar St.  
LaGrange, IN 46761  
(260) 463-4858

### CANADA

Dometic Dist.  
866 Langs Dr.  
Cambridge, Ontario  
(519) 653-4390

### For Service Center

Assistance Call:  
800-544-4881

	Product No.	Model	Voltage	Remarks	Wiring Diagram	Country
<b>A</b>	921140101	RM2452	120V	LEFT	293267100	US, CA
<b>B</b>	921140102	RM2452	120V	RIGHT	293267100	US, CA
<b>C</b>	921140103	RM2453	12/120V	LEFT	293267200	US, CA
<b>D</b>	921140104	RM2453	12/120V	RIGHT	293267200	US, CA

## PARTS LIST

**MODELS  
RM2452  
RM2453**

### REVISION:

Form No. 3106763.050 3/04  
(Replaces 3106763.042)  
©2004 Dometic Corporation  
LaGrange, IN 46761

**ALPHABETICAL INDEX**

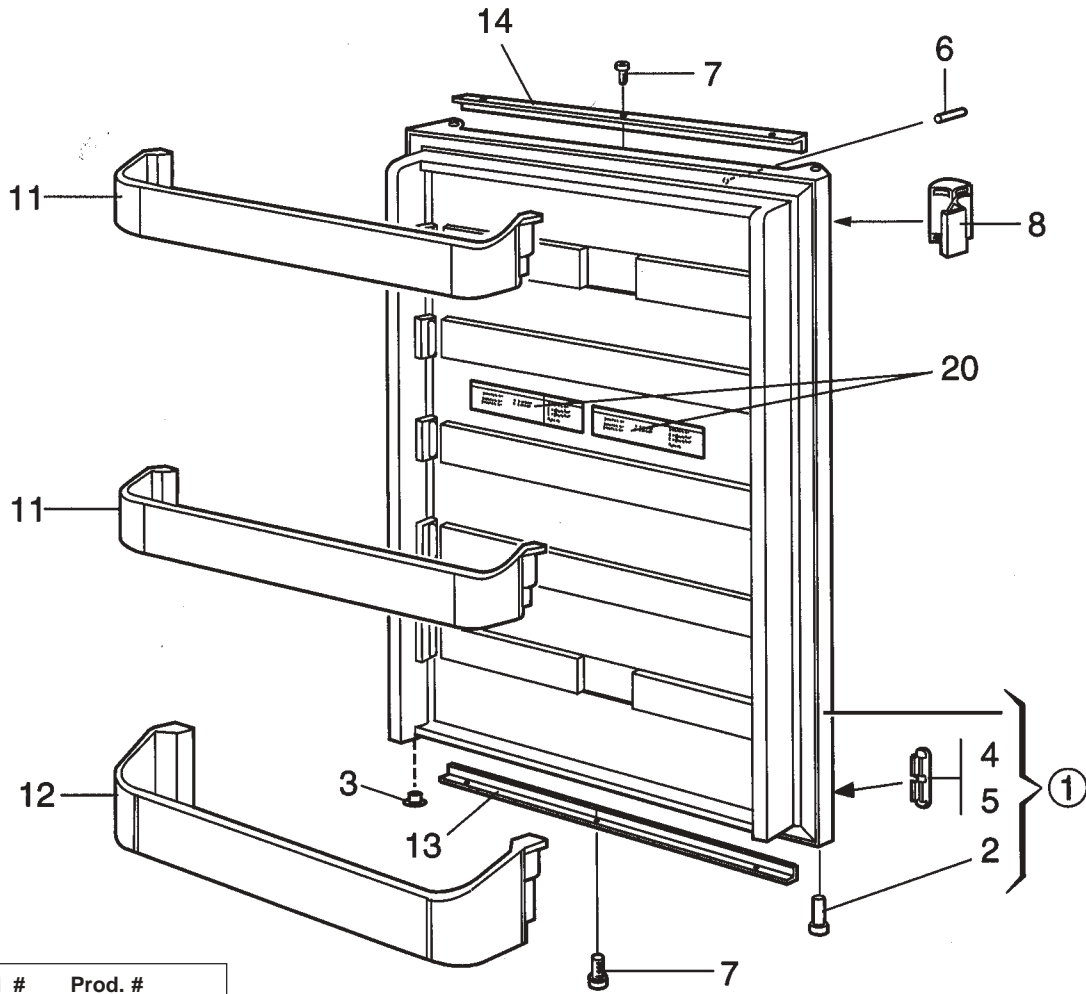
	Page#	Index#
Cabinet, Exterior Components .....	4-5	1-999
Cabinet, Interior Components .....	6-7	3-21
Cabinet, Rear View .....	10	100-141
Control & Burner Components .....	8-9	1-115
Door Assm. ....	3	1-20
Wiring Diagram .....	11, 12	—

**SPECIFICATIONS**

<b>MODEL</b>	<b>RM2452</b>	<b>RM2453</b>
Prod. No.*		
RH	921140102	921140104
LH	921140101	921140103
AC Heater		
Watts	175	175
Ohms	80	80
Amps	1.5	1.5
DC Heater		
Watts	— —	175
Amps	— —	15
Gas		
BTU's	1080	1080
Jet	43	43
Flue Baffle		
Size	3-15/16" x 25/32"	
Above burner	1-15/32"	
Crisper	0	0
Ice Tray	0	0
Magic Fingers	0	0

\*Product No. Located on Data Plate

**DOOR ASSEMBLY**

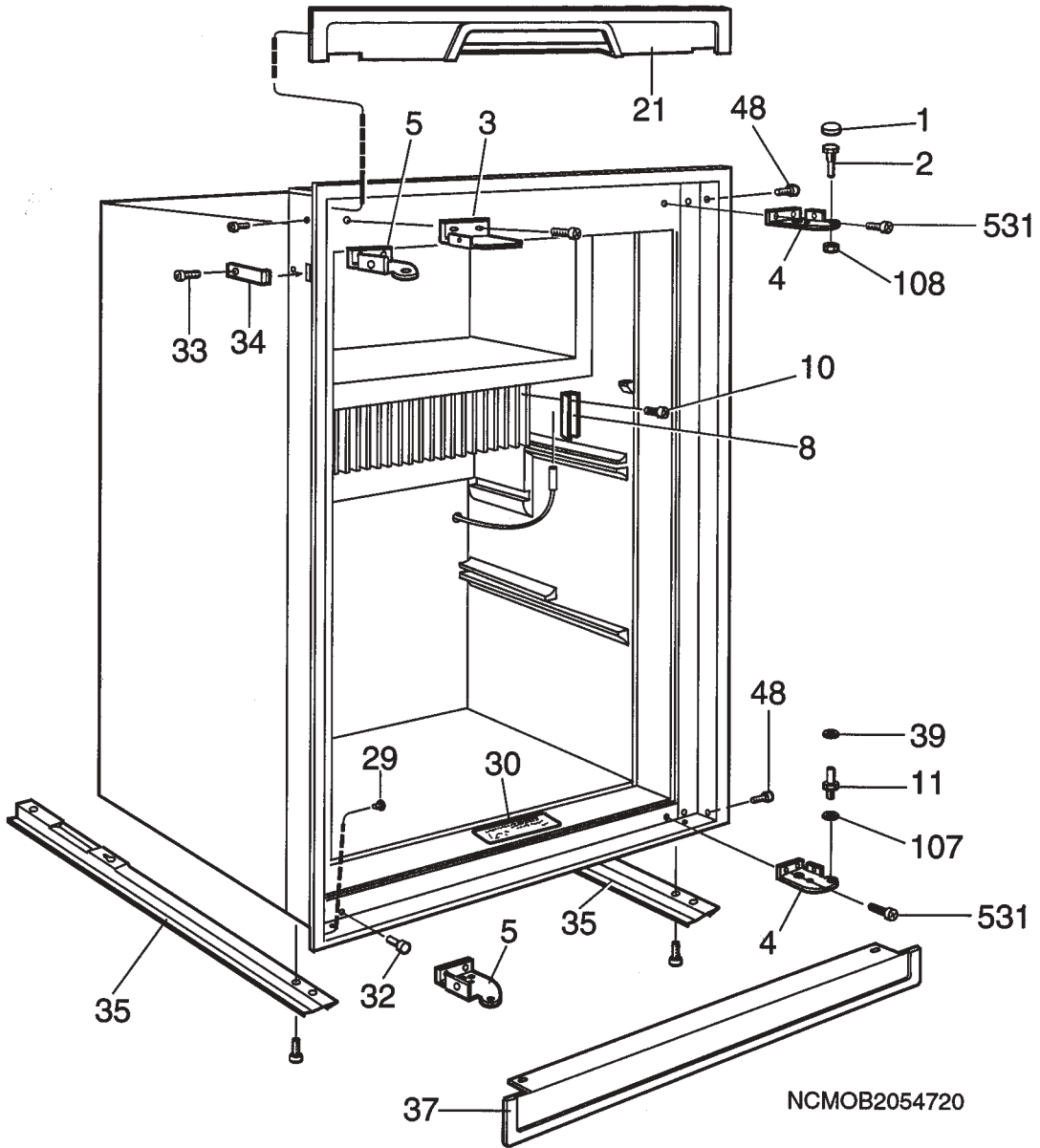


	Model #	Prod. #
A	RM2452	(921140101)
B	RM2452	(921140102)
C	RM2453	(921140103)
D	RM2453	(921140104)

NCMOA2060484

Index	Part No.	Model				Description
		A	B	C	D	
1	2932563121	A	B	C	D	Door, lower
2	2931171041	A	B	C	D	Hinge bushing
3	2932740018	A	B	C	D	Plug, Liner
4	2932682012	A	B	C	D	Plug, Door Frame Upper RH, Lower LH
5	2932682020	A	B	C	D	Plug, Door Frame Upper LH, Lower RH
6	2932588011	A	B	C	D	Pin, Door Panel
7	3858002102	A	B	C	D	Screw RXS B4x9.5 Zinc
8	2932670017	A	B	C	D	Handle
11	2932576016	A	B	C	D	Shelf, Door
12	2932575018	A	B	C	D	Shelf, Bottle
13	3850381017	A	B	C	D	Strip Decoration - Brown
14	3850381330	A	B	C	D	Strip, Decoration w/Logo - Brown
20	2932722008	A	B	C	D	Decal
	3850581004	A	B	C	D	Decal (French)

# CABINET EXTERIOR COMPONENTS

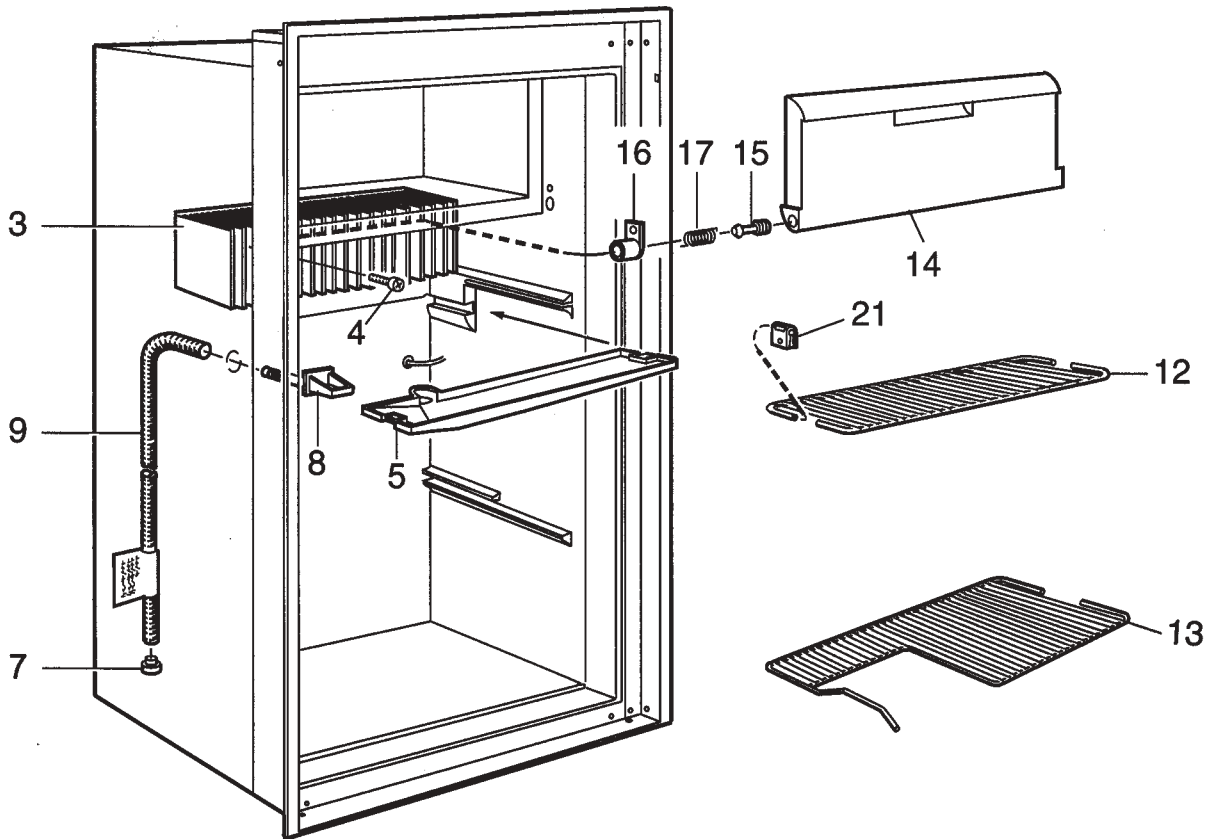


## CABINET EXTERIOR COMPONENTS

	Model #	Prod. #
A =	RM2452	(921140101)
B =	RM2452	(921140102)
C =	RM2453	(921140103)
D =	RM2453	(921140104)

Index	Part No.	Model				Description
		A	B	C	D	
1	2932736016	A	B	C	D	Plug
2	2932647015	A	B	C	D	Hinge pin, upper
3	2932644020	A	-	C	-	Bracket, RH
	2932644012	-	B	-	D	Bracket, LH
4	2932643022	A	-	C	-	Hinge, LH (2 req.)
5	2932643014	-	B	-	D	Hinge, RH (2 req.)
8	2890050004	A	B	C	D	Clamp
10	3858002276	A	B	C	D	Screw, RXS B8 4.2x16
11	2932649011	A	B	C	D	Hinge pin, lower
21	2932640010	A	B	C	D	Front
29	2930740044	A	B	C	D	Cover
30	2932677004	A	B	C	D	Decal
32	3850585047	A	B	C	D	Plug (4 req.)
33	3858002052	A	B	C	D	Screw, RXS, B6x6.5, Zinc
34	2932855014	A	B	C	D	Catch Lever
35	2932660018	A	B	C	D	Runner
37	2932690023	A	B	C	D	Base Front - Brown
39	3858010089	A	B	C	D	Washer, 5.5x12x1 Zinc
48	3858004058	A	B	C	D	Screw, MRX M4x4 Zinc
107	3858010113	A	B	C	D	Washer, BRB 6.5x12.5 Zinc
108	3858009040	A	B	C	D	Nut, ML6 M6 Zinc
531	3858039047	A	B	C	D	Screw, MRX M4x10 Zinc
999	293275003	A	-	C	-	Door Reversing Kit, LH to RH, (not shown)
	293275002	-	B	-	D	Door Reversing Kit, RH to LH, (not shown)

# CABINET INTERIOR COMPONENTS



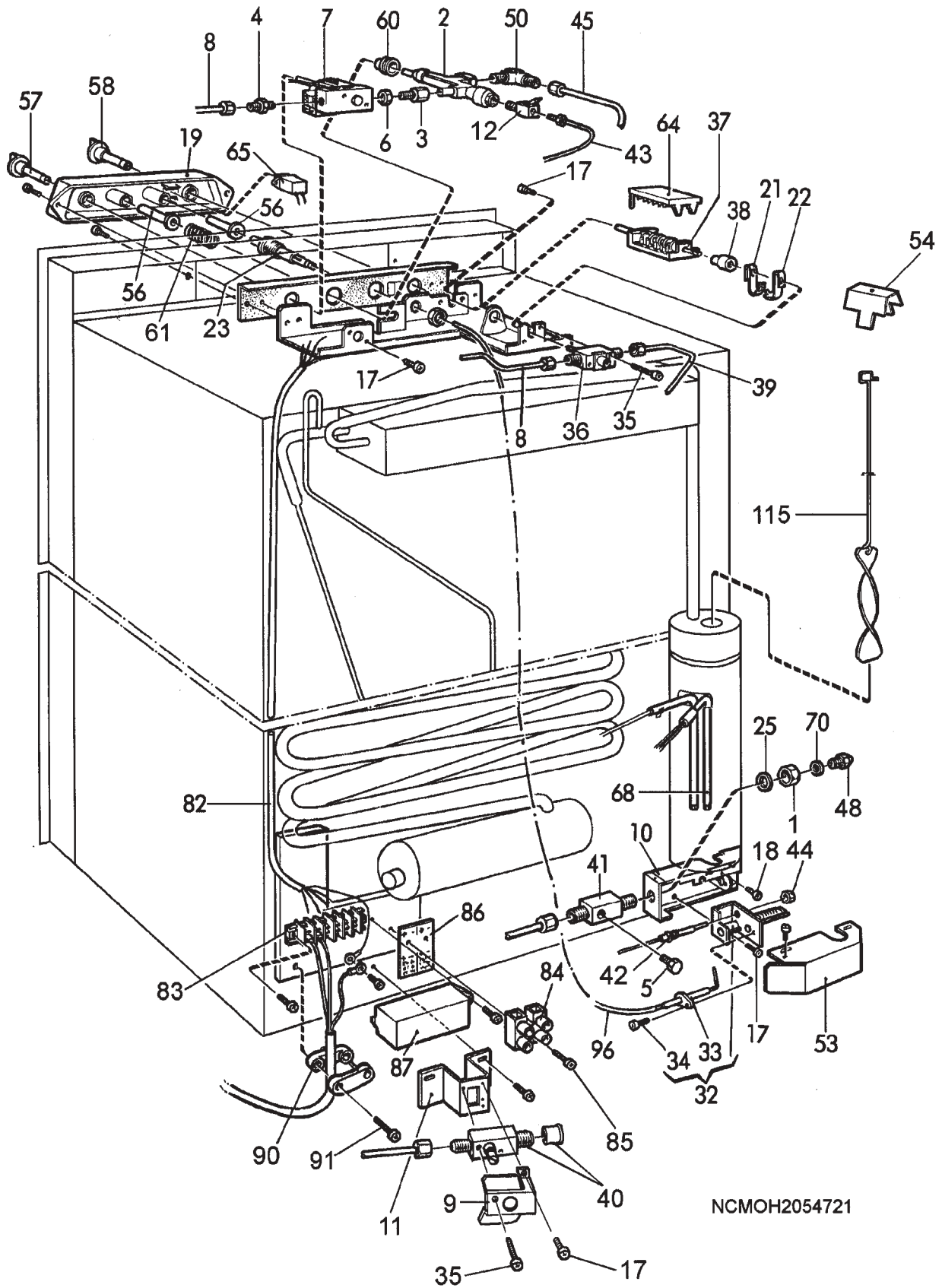
NCMOD2054719

## CABINET INTERIOR COMPONENTS

	Model #	Prod. #
A =	RM2452	(921140101)
B =	RM2452	(921140102)
C =	RM2453	(921140103)
D =	RM2453	(921140104)

Index #	Part No.	Model				Description
		A	B	C	D	
3	2932628015	A	B	C	D	Fins, Cooling
4	3858036019	A	B	C	D	Screw, KFXS B10x38 Zinc
5	2932623016	A	B	C	D	Drip tray
7	2932115013	A	B	C	D	Plug
8	2932635010	A	B	C	D	Drain
9	2932749019	A	B	C	D	Hose, drainage
12	2932625060	A	B	C	D	Shelf
13	2932626142	A	B	C	D	Shelf
14	2932650019	A	B	C	D	Flap, freezer asm.
15	2002238000	A	B	C	D	Driver
16	2002236004	A	B	C	D	Spring casing, LH
	2002236012	A	B	C	D	Spring casing, RH
19	2932754019	A	B	C	D	Spring, LH
	2932754027	A	B	C	D	Spring, RH
21	2932668011	A	B	C	D	Shelf support

### CONTROL & BURNER COMPONENTS



NCMOH2054721

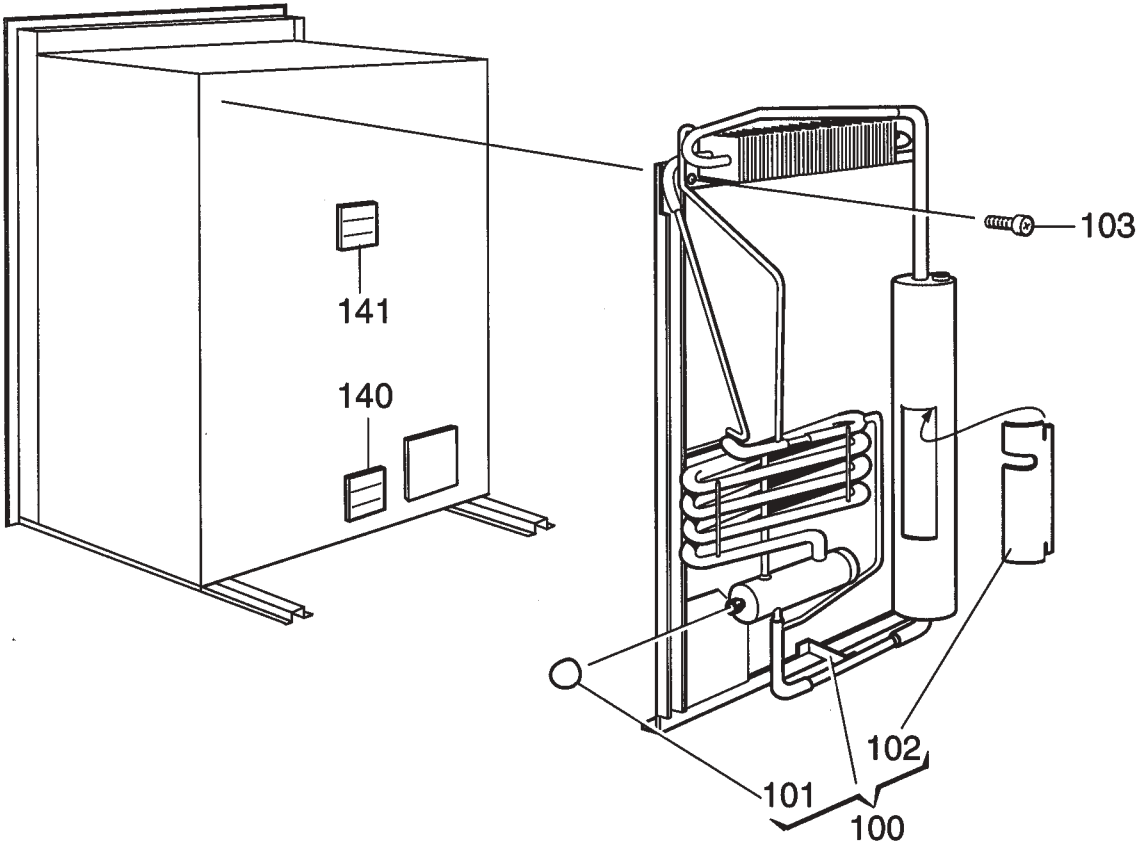


**CONTROL & BURNER COMPONENTS**

	Model #	Prod. #
A =	RM2452	(921140101)
B =	RM2452	(921140102)
C =	RM2453	(921140103)
D =	RM2453	(921140104)

Index #	Part No.	Model				Description
		A	B	C	D	
1	0140207044	A	B	C	D	Nut
2	2931656017	A	B	C	D	Valve, safety
3	2932591015	A	B	C	D	Nipple
4	2931338012	A	B	C	D	Nipple
5	0169380003	A	B	C	D	Screw, Plug
6	2954070005	A	B	C	D	Nut
7	2931336016	A	B	C	D	Thermostat
8	2932619014	A	B	C	D	Tube, Gas
9	2933150019	A	B	C	D	Protection Plate
10	2932603018	A	B	C	D	Burner Housing
11	2932062017	A	B	C	D	Retainer
12	2955033002	A	B	C	D	Adapter, Thermocouple
17	3858039039	A	B	C	D	Screw, MRX M4x8, Zinc
18	3858039047	A	B	C	D	Screw, MRX, M4x10, Zinc
19	2932600030	A	B	-	-	Panel, control 2-way
	2932600014	-	-	C	D	Panel, control 3-way
21	2007577014	A	B	C	D	Spring
22	2007578004	A	B	C	D	Spring
23	2931796011	A	B	C	D	Lighter, Piezo
25	3858010071	A	B	C	D	Washer, 12.5x18.5x1
32	2930697061	A	B	C	D	Burner
33	2930379009	A	B	C	D	Electrode
34	3858005014	A	B	C	D	Screw, RXS, B6x9.5 Zinc
35	3858039070	A	B	C	D	Screw, M4x25, Zinc
36	2932617018	A	B	C	D	Cock, gas
37	2932614015	A	B	C	D	Switch
38	2932602010	A	B	C	D	Bushing
39	2932618016	A	B	C	D	Tube, gas
40	2932616010	A	B	C	D	Cock, gas
41	2931227017	A	B	C	D	Nipple
42	2932726025	A	B	C	D	Thermocouple, 500
43	2932726033	A	B	C	D	Extension, thermcouple, 1500
44	2801043015	A	B	C	D	Nut
45	2932620012	A	B	C	D	Tube, gas
48	2007419167	A	B	C	D	Jet, No. 43
50	2930488008	A	B	C	D	Coupling
53	2932661016	A	B	C	D	Cover
54	2930402009	A	B	C	D	Flue Top
56	2932596014	A	B	C	D	Push Button
57	2932605013	A	B	C	D	Knob
58	2932607019	A	B	C	D	Knob
60	2932595016	A	B	C	D	Guiding Device
61	2932594019	A	B	C	D	Spring
64	2954023004	A	B	C	D	Cover
65	2955037011	A	B	C	D	Flame indicator
68	0173771015	A	B	C	D	Heater, 175W, 120VAC
	0173739061	-	-	C	D	Heater, 175W, 12VDC
70	2007457001	A	B	C	D	Washer
82	2954427031	A	B	C	D	Conductor, complete
83	2932592013	A	B	C	D	Terminal block
84	3858022019	-	-	C	D	Terminal block
85	3858002185	-	-	C	D	Screw, RXS, B6x25, Zinc
86	2932597012	-	-	C	D	Decal, 12V DC conn
87	2932609015	A	B	C	D	Cover
90	0561014010	A	B	C	D	Strain Relief
91	3858002177	A	B	C	D	Screw, RXS, B6x19 Zinc
96	2931360032	A	B	C	D	Conductor, electrode
115	2932667013	A	B	C	D	Baffle

### CABINET, REAR VIEW

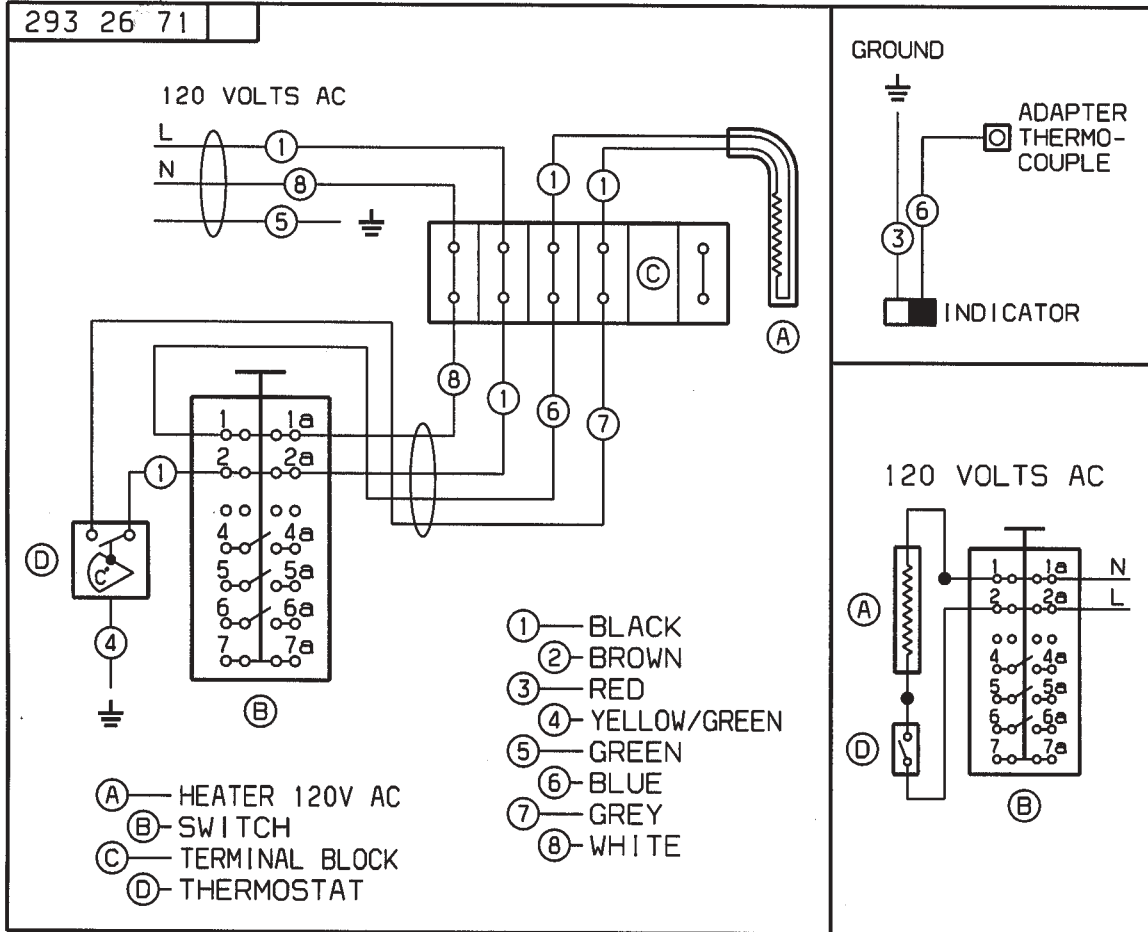


NCMOE2060492

	Model #	Prod. #
A =	RM2452	(921140101)
B =	RM2452	(921140102)
C =	RM2453	(921140103)
D =	RM2453	(921140104)

Index #	Part No.	Model				Description
		A	B	C	D	
100	2934405099	A	B	C	D	Cooling Unit Type 405
101	0173228008	A	B	C	D	Cap
102	2933557007	A	B	C	D	Cover
103	3858020013	A	B	C	D	Screw, DK4.8x16P Zinc
140	3850582002	A	B	C	D	Decal
141	3850583000	A	B	C	D	Decal

# WIRING DIAGRAM FOR RM2452 (2-WAY MODELS) Prod. No. 921140101 and 921140102



N29326710

