



The Sign of Comfort

When ordering parts, always state:  
MODEL NO. - PRODUCT NO. - QUANTITY -  
PART NUMBER - DESCRIPTION  
For Electric Details also state:  
VOLTAGE - WATTAGE

# PARTS LIST

## RM2454 Series

### Refrigerator

**USA**  
SERVICE OFFICE  
Dometic Corporation  
509 South Poplar Street  
Lagrange, IN 46761  
260-463-4858

**CANADA**  
Dometic Distribution  
866 Langs Drive  
Cambridge, Ontario  
CANADA N3H 2N7  
519-653-4390

**For Service Center  
Assistance Call:**  
800-544-4881

Product Number	Model	Voltage	Refrig. Frame Color	Door Style	Door/Door Trim Color	Market	Brand
921140114	RM2454	120VAC	Taupe	Standard	Taupe Door Trim	USA/Canada	Dometic
921140115	RM2454	120VAC	Taupe	Standard	Taupe Door Trim	USA/Canada	Dometic

# PARTS LIST

**MODEL  
RM2454  
Series**

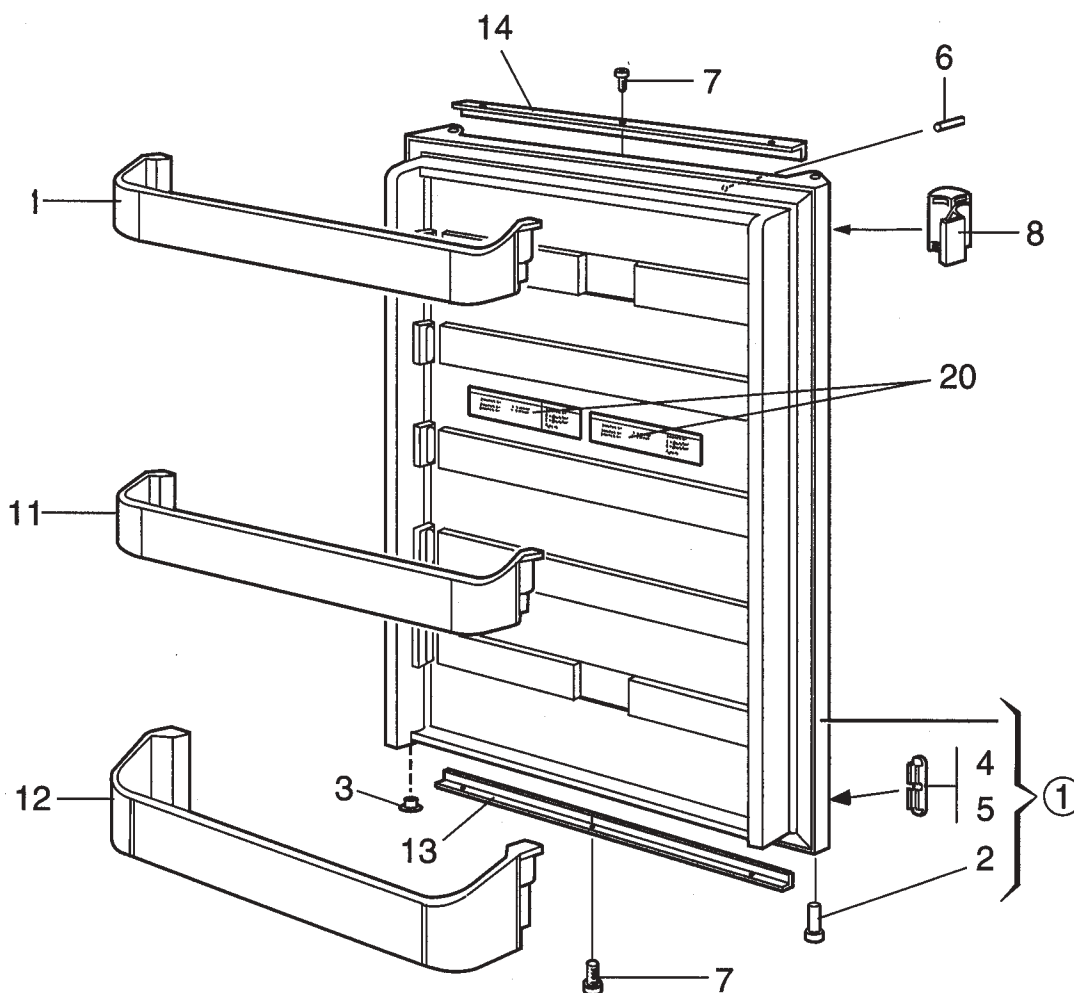
**ALPHABETICAL INDEX**

	Page#	Index#
Cabinet, Exterior Components .....	4-5	1-999
Cabinet, Interior Components .....	6-7	3-21
Cabinet, Rear View .....	10	100-141
Control & Burner Components .....	8-9	1-151
Door Assm. ....	3	1-20
Wiring Diagram .....	11	—

**SPECIFICATIONS**

Model	RM2454
Product Number*	921140114 921140115
Energy Source**	120 VAC, Gas
AC Heating Element	
Amperage	1.5
Ohm Resis. +/- 10%	80
Wattage	175
DC Heating Element	
Amperage	15.0
Ohm Resis.+/- 10%	0.8
Wattage	175
BTU's Gas Burner	1080
Jet Size	43
Flue Baffle	
Size	3-15/16" x 25/32"
Position Above Burner	1-15/32"
* Product number located on refrigerator data plate.	
** 12 volt DC power is required to operate the refrigerator controls on all models.	

## DOOR ASSEMBLY

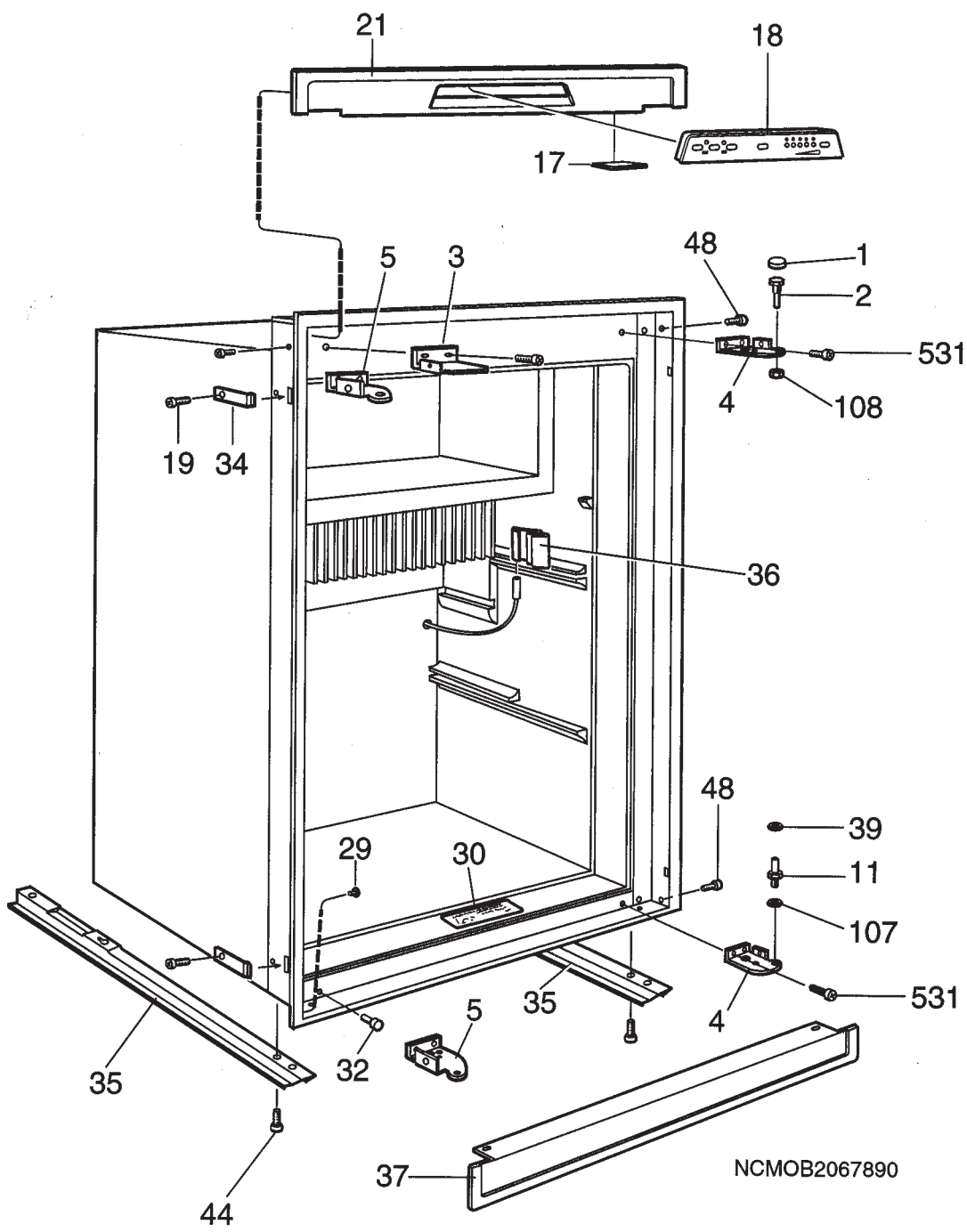


NCMOA2060484

RM2454 921140114 = A  
 RM2454 921140115 = B

INDEX	PART NUMBER	MODEL	DESCRIPTION
1	2932563121	A B	Door, Refrigerator
2	2931171041	A B	Bushing, Hinge
3	2932740018	A B	Cover Washer
4	2932682012	A B	Plug, Frame Upper RH/Lower LH
5	2932682020	A B	Plug, Frame Upper LH/Lower RH
6	2932588011	A B	Pin, Door Panel
7	3858002102	A B	Screw, RXS B4x9.5 Zinc
8	2932670017	A B	Handle, Door
11	2932576016	A B	Shelf, Door
12	2932575018	A B	Shelf, Bottle
13	3850381017	A B	Strip, Deco Brown
14	3850381330	A B	Strip, Decoration W/Logo Brown
20	2932722008	A B	Decal
	3850581004	A B	Decal, French

# CABINET, EXTERIOR COMPONENTS



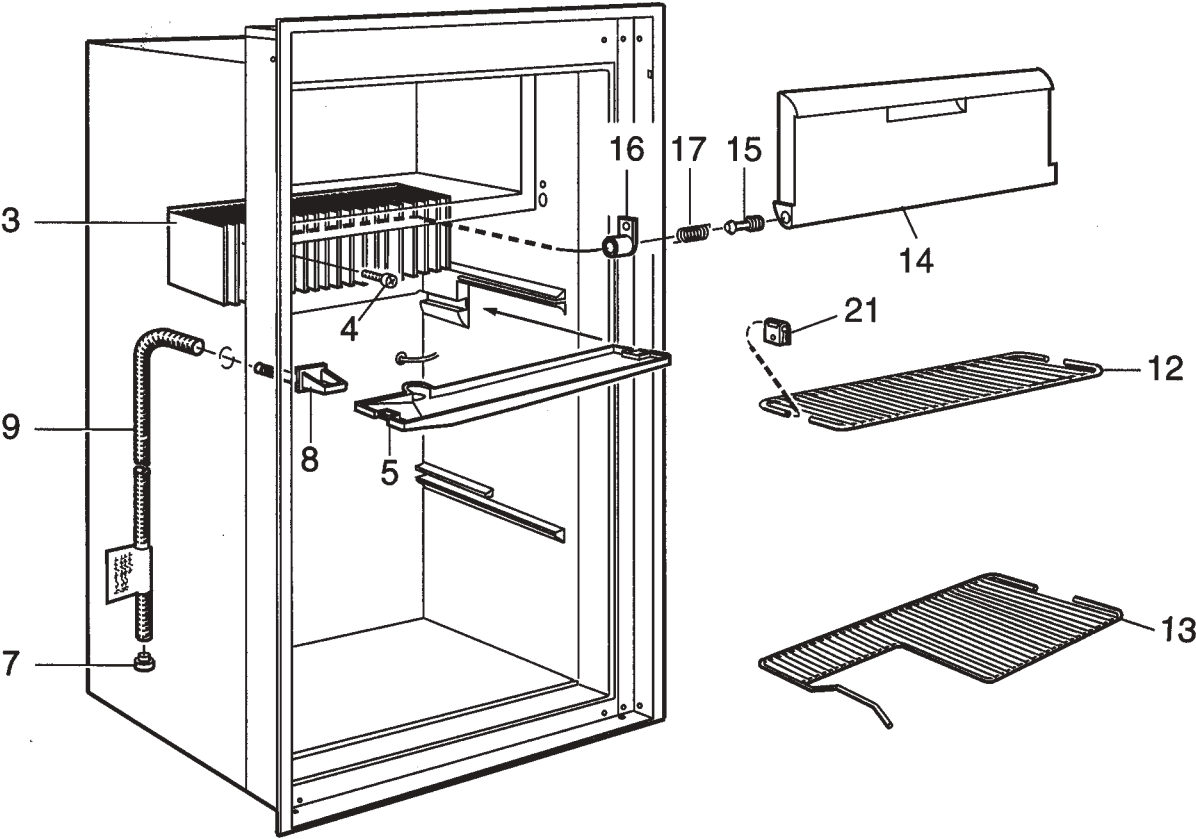
## CABINET, EXTERIOR COMPONENTS

**RM2454 921140114 = A**

**RM2454 921140115 = B**

INDEX	PART NUMBER	MODEL	DESCRIPTION
1	2932736016	A B	Cover
2	2932647015	A B	Pin, Upper Hinge
3	2932644020	A --	Bracket RH
	2932644012	-- B	Bracket LH
4	2932643022	A --	Hinge
5	2932643014	-- B	Hinge
11	2932649011	A B	Pin, Hinge-Lower
17	2932330018	A B	Covering Washer
18	2932884030	A B	Panel, Display w/Board
19	3858002052	A B	Screw, RXS B6x6.5 Zinc
21	2932641018	A B	Trim, Upper Front
29	2930740044	A B	Plug
30	2932436005	A B	Decal, Instructions
32	3850585047	A B	Plug
34	2932855014	A B	Catch, Door
35	2932660018	A B	Rail
36	2932456011	A B	Bracket, Thermistor
37	2932690023	A B	Trim, Front Base-Brown
39	3858010089	A B	Washer 5.5x12x1 Zinc
44	3858039096	A B	SCrew, MRX M5x14 Zinc
48	3858004058	A B	Screw MRX M4x4 Zinc
107	3858010113	A B	Washer BRB 6.4x12.5 Zinc
108	3858009040	A B	Nut ML6 M<6 Zinc
531	3858039047	A B	Screw, MRX M4X10 Zinc
999	2932750033	A --	Door Reversing Kit LH-RH
	2932750025	-- B	Door Reversing Kit RH-LH

# CABINET, INTERIOR COMPONENTS



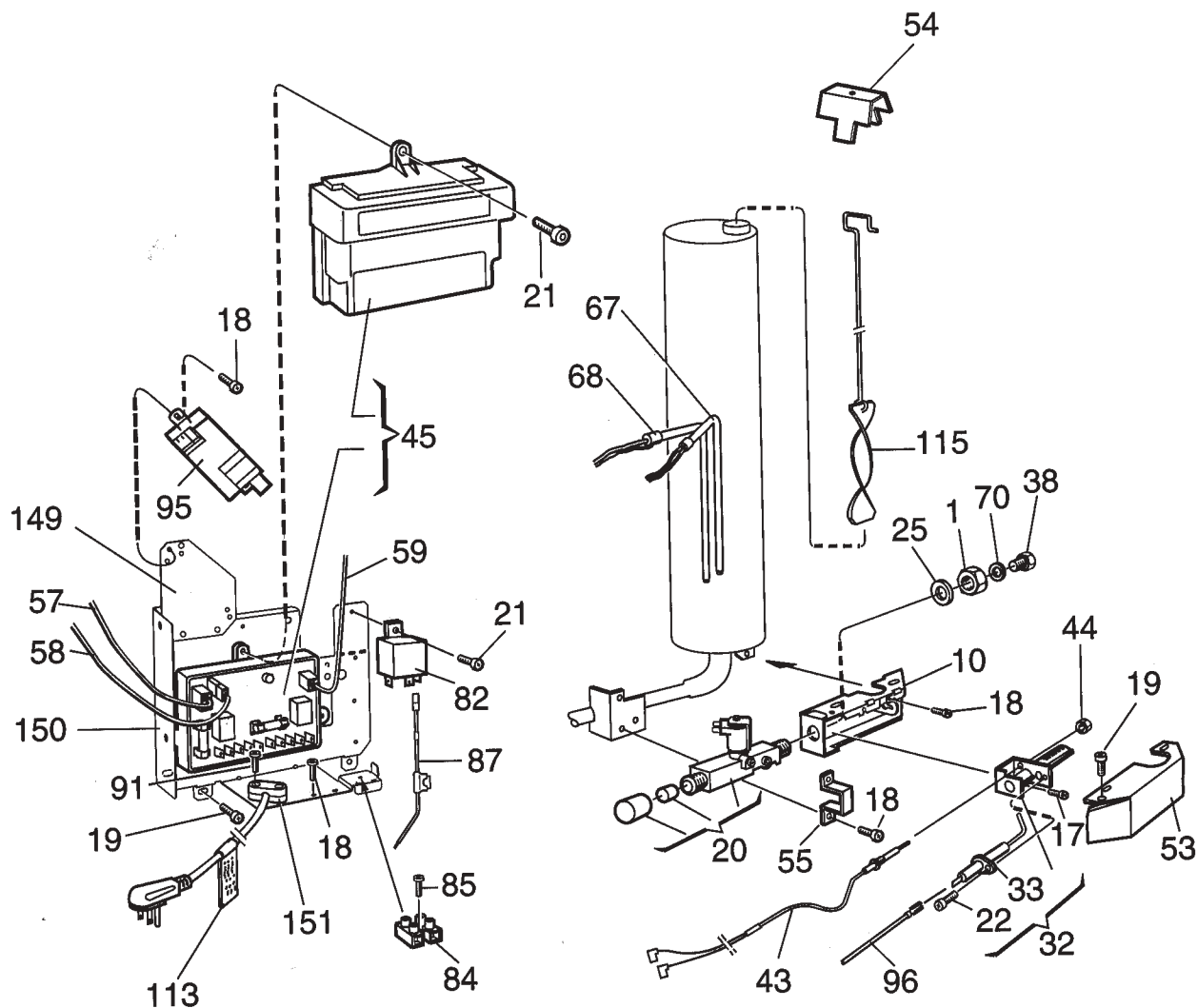
NCMOD2054719

## CABINET, INTERIOR COMPONENTS

RM2454 921140114 = A  
 RM2454 921140115 = B

INDEX	PART NUMBER	MODEL	DESCRIPTION
3	2932628015	A B	Fins, Cooling
4	3858036019	A B	Screw, KFXS B10x38 Zinc
5	2932623016	A B	Tray Evaporation
7	2932115013	A B	Plug, Drain Hose
8	2932635010	A B	Drain
9	2932749019	A B	Drain Hose
12	2932625060	A B	Shelf
13	2932626142	A B	Shelf
14	2932650019	A B	Door, Freezer
15	2002238000	A B	Bolt
16	2002236004	A B	Spring Casting LH
	2002236012	A B	Spring Casting RH
17	2932754019	A B	Spring, LH
	2932754027	A B	Spring RH
21	2932668011	A B	Lock, Shelf

# CONTROL & BURNER COMPONENTS



NCMOH2065361



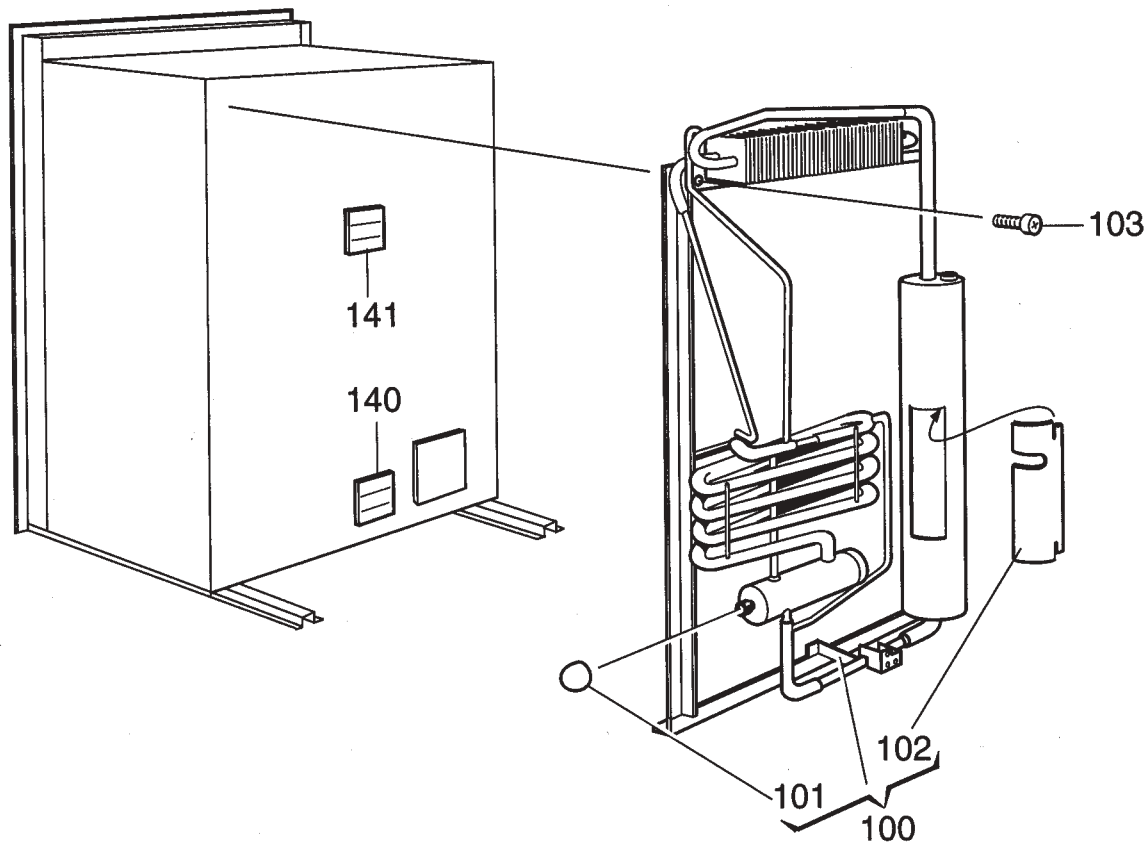
## CONTROL & BURNER COMPONENTS

**RM2454 921140114 = A**

**RM2454 921140115 = B**

INDEX	PART NUMBER	MODEL	DESCRIPTION
1	0140207044	A B	Nut
10	2932603018	A B	Housing, Burner
17	3858039039	A B	Screw, MRX M4x8 Zinc
18	3858039047	A B	Screw, MRX M4x10 Zinc
19	3858002144	A B	Screw RXS B6x925 Zinc
20	2932615012	A B	Solenoid Valve
21	3858002151	A B	Screw, RXS B6x13 Zinc
22	3858005014	A B	Screw, RXK B6x9.5 Zinc
25	3858010071	A B	Washer. 12.5x18.5x1
32	2930697061	A B	Burner
33	2930379009	A B	Electrode
38	2007419167	A B	Jet #43
43	2932052018	A B	Thermocouple
44	2801043015	A B	Nut
45	3850415013	A B	Power Module, Universal
53	2932661016	A B	Cover
54	2930402009	A B	Flue Top
55	2932662014	A B	Bracket
57	2954542037	A B	Conductor PCB
58	2931863035	A B	Conductor, Thermistor
59	2954540023	A B	Conductor, Solenoid Valve
67	0173771023	A B	Heater, 175W 120VAC
68	0173739079	A B	Heater, 175W 12VDC
70	2007457001	A B	Washer 0.5mm
82	2930385006	A B	Relay
84	3858022019	A B	Terminal Block
85	3858002185	A B	Screw, RXS B6x25 Zinc
87	2954553018	A B	Wire W/fuse
91	3858002177	A B	Screw, RXS B6x19 Zinc
95	2933096014	A B	Spark Generator
96	2931360073	A B	Ignition Cable
113	2932733005	A B	Decal
115	2932667013	A B	Baffle, Flue
149	3850338017	A B	Bracket, Spark Generator
150	3850337019	A B	Bracket
151	0561014010	A B	Cable Clamp

### CABINET, REAR VIEW

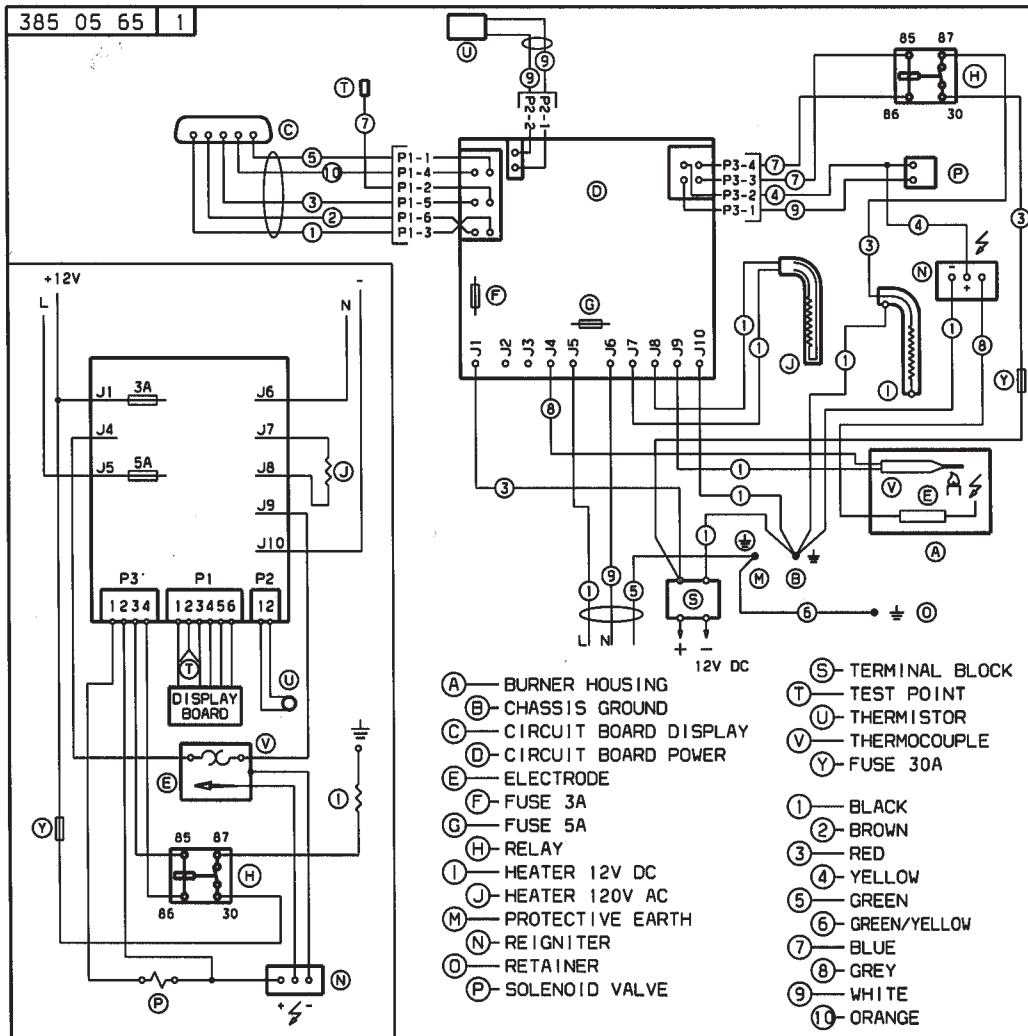


NCMOE2067894

RM2454 921140114 = A  
 RM2454 921140115 = B

INDEX	PART NUMBER	MODEL	DESCRIPTION
100	2934409091	A B	Cooling Unit Type 409
101	0173228008	A B	Cap
102	2933557007	A B	Cover Sheet
103	3858020013	A B	Screw DK4.8x16P Zinc
140	3850582002	A B	Decal
141	3850583000	A B	Decal

# WIRING DIAGRAM



N38505651