



When ordering parts, always state:  
MODEL NO. - PRODUCT NO. - QUANTITY -  
PART NUMBER - DESCRIPTION

For Electric Details also state:  
VOLTAGE - WATTAGE

**USA**  
SERVICE OFFICE  
Dometic Corporation  
509 South Poplar Street  
Lagrange, IN 46761  
260-463-4858

**CANADA**  
Dometic Dist.  
866 Langs Dr.  
Cambridge, Ontario  
CANADA N3H 2N7  
519-653-4390

For Service Center  
Assistance Call:  
800-544-4881

PRODUCT NUMBER	MODEL	MARKET	VOLTAGE	BRAND
921142109	RM2551	USA/Canada	120 V	Dometic
921142110	RM2551	USA/Canada	120 V	Dometic

# PARTS LIST

**MODEL**  
**RM2551**  
**Series**



NOTES: \_\_\_\_\_

\_\_\_\_\_

\_\_\_\_\_

\_\_\_\_\_

\_\_\_\_\_

\_\_\_\_\_

\_\_\_\_\_

\_\_\_\_\_

\_\_\_\_\_

\_\_\_\_\_

\_\_\_\_\_

\_\_\_\_\_

\_\_\_\_\_

\_\_\_\_\_

\_\_\_\_\_

\_\_\_\_\_

\_\_\_\_\_

\_\_\_\_\_

\_\_\_\_\_

\_\_\_\_\_

\_\_\_\_\_

\_\_\_\_\_

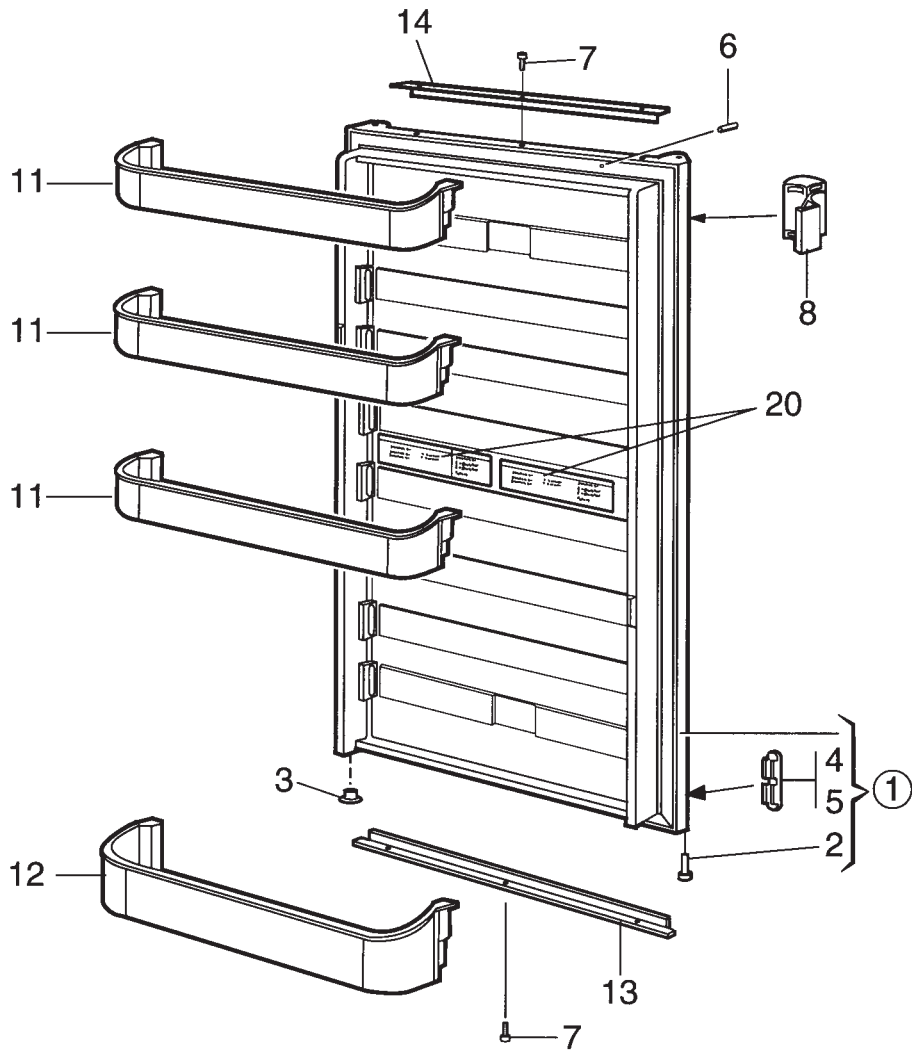
### ALPHABETICAL INDEX

	Page#	Index#
Cabinet, exterior components .....	8-9	1-999
Cabinet, interior components .....	10-11	3-27
Cabinet, rear view .....	12-13	100-145
Control & Burner Components .....	6-7	1-151
Door Assm. ....	4-5	1-20
Wiring Diagram .....	14	—

### SPECIFICATIONS

Model	RM2551
Product Number*	921142109 921142110
Energy Source**	120 VAC, Gas
AC Heating Element	
Amperage	1.5
Ohm Resis. +/- 10%	80
Wattage	175W
BTU's Gas Burner	1080
Jet Size	#43
Flue Baffle	
Size	3-15/16" x 25/32"
Position Above Burner	1-15/32"
Ice Trays	0
Crispers	1
Bottle Holders	0
<p>* Product number located on refrigerator data plate.</p> <p>** 12 volt DC power is required to operate the refrigerator controls on all models.</p>	

**DOOR ASSEMBLY**



NCMOA2060412

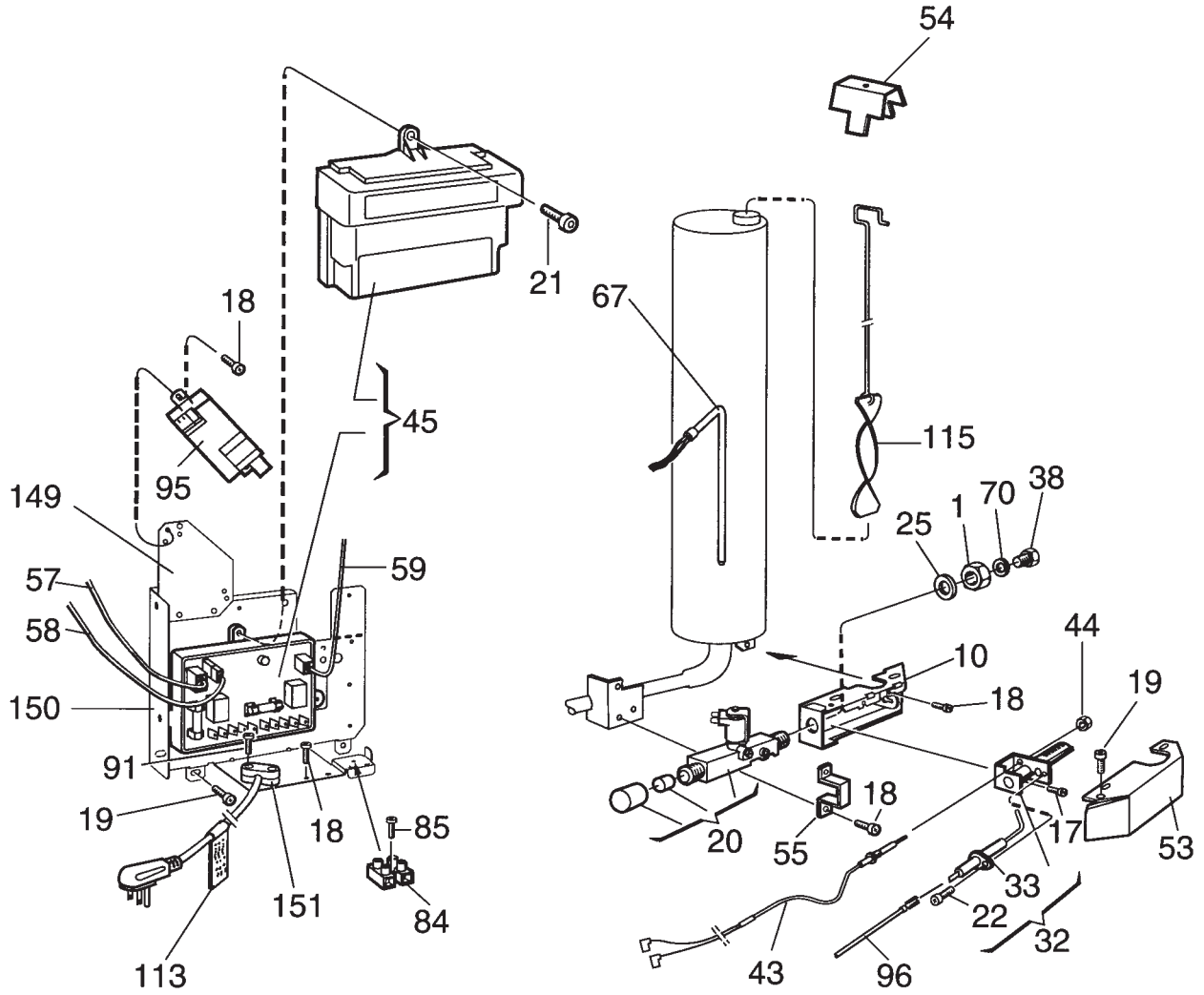
## DOOR ASSEMBLY

**A=921142109-RM2551**

**B=921142110-RM2551**

<b>Index No.</b>	<b>Part No.</b>			<b>Description</b>
1	2932562149	A	B	Door, silver, complete
2	2931171082	A	B	Hinge bushing, gray
3	2932740018	A	B	Covering washer
4	2932682079	A	B	Plug, upper right, lower left
5	2932682087	A	B	Plug, upper left, lower right
6	2932588011	A	B	Stopper
7	3858002102	A	B	Screw, RXS B4 x 9.5 zinc
8	2932670025	A	B	Handle, black
11	2932576016	A	B	Door shelf
12	2932575018	A	B	Bottle shelf
13	3850381298	A	B	Decoration, silver
14	3850381306	A	B	Decoration, silver
20	2932722008	A	B	Label
	3850581004	A	B	Label, French

**CONTROL & BURNER**



NCMOH2060680

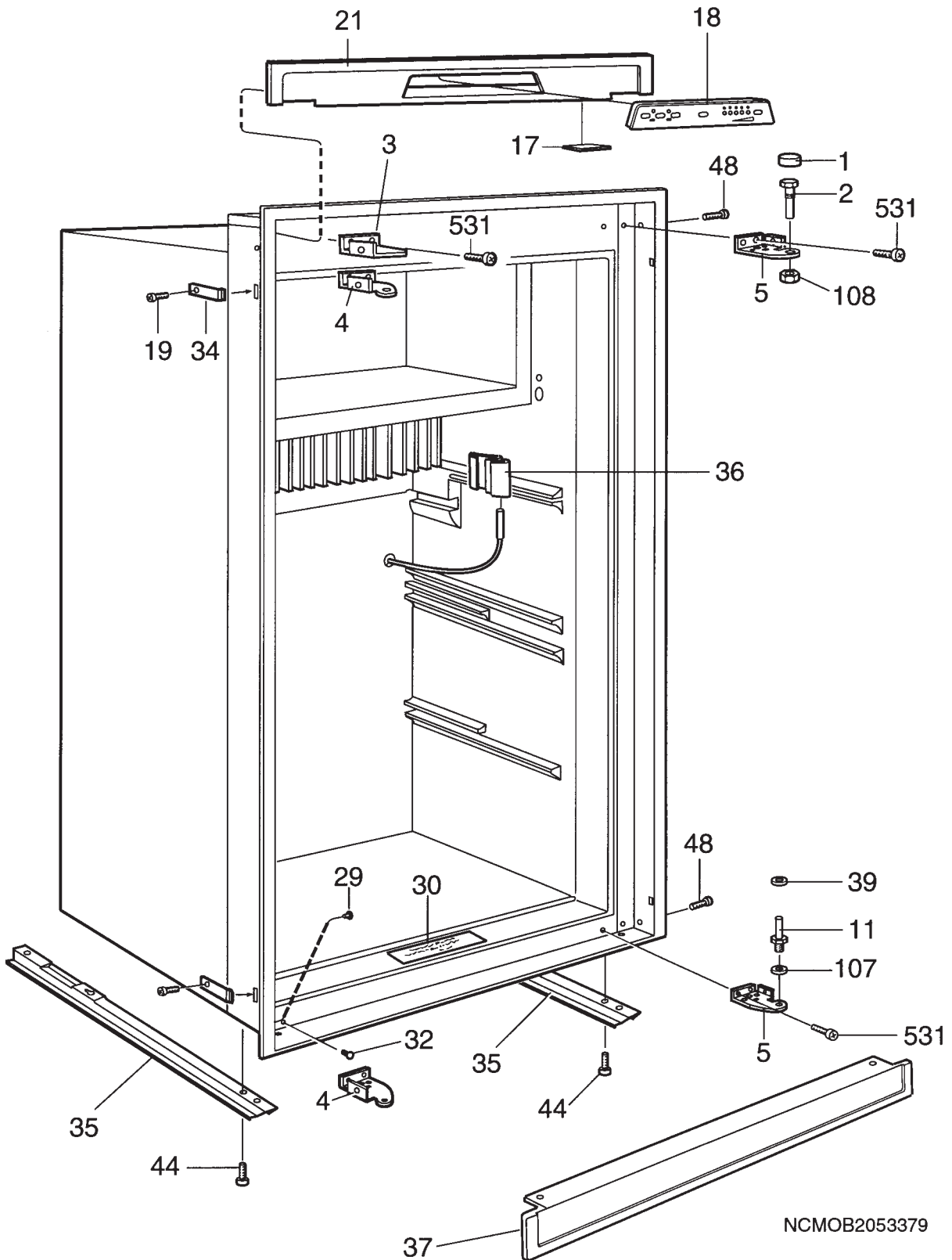
## CONTROL & BURNER

A=921142109-RM2551

B=921142110-RM2551

Index No.	Part No.		Description
1	0140207044	A B	Nut
10	2932603018	A B	Burner housing
17	3858039039	A B	Screw, MRX M4 x 8 zinc
18	3858039047	A B	Screw, MRX M4 x 10 zinc
19	3858002144	A B	Screw, RXS B6 x 9.5
20	2932615012	A B	Solenoid valve
21	3858002151	A B	Screw, RXS B6 x 13 zinc
22	3858005014	A B	Screw, RXK B6 x 9.5 zinc
25	3858010071	A B	Washer, 12.5 x 18.5 x 1
32	2930697061	A B	Burner
33	2930379009	A B	Electrode
38	2007419167	A B	Burner jet, #43
43	2932052018	A B	Thermocouple
44	2801043015	A B	Nut
45	3850415013	A B	Electronic PCB, Universal
53	2932661016	A B	Cover, burner housing
54	2930402009	A B	Flue top
55	2932662014	A B	Bracket
57	2931862037	A B	Conductor, PCB
58	2931863035	A B	Conductor, thermistor
59	2954539033	A B	Conductor, solenoid valve
67	0173771023	A B	Heater, 175W, 120V
70	2007457001	A B	Washer, .5mm
84	3858022019	A B	Junction block
85	3858002185	A B	Screw, RXS, B6 x 25, zinc
91	3858002177	A B	Screw, RXS, B6 x 19, zinc
95	2933096014	A B	Spark ignition device
96	2931360073	A B	Ignition cable
113	2932733005	A B	Label
115	2932667021	A B	Baffle
149	3850338017	A B	Bracket, spark ignitor
150	3850337019	A B	Bracket
151	0561014010	A B	Tension relief

**CABINET, FRONT VIEW**



NCMOB2053379



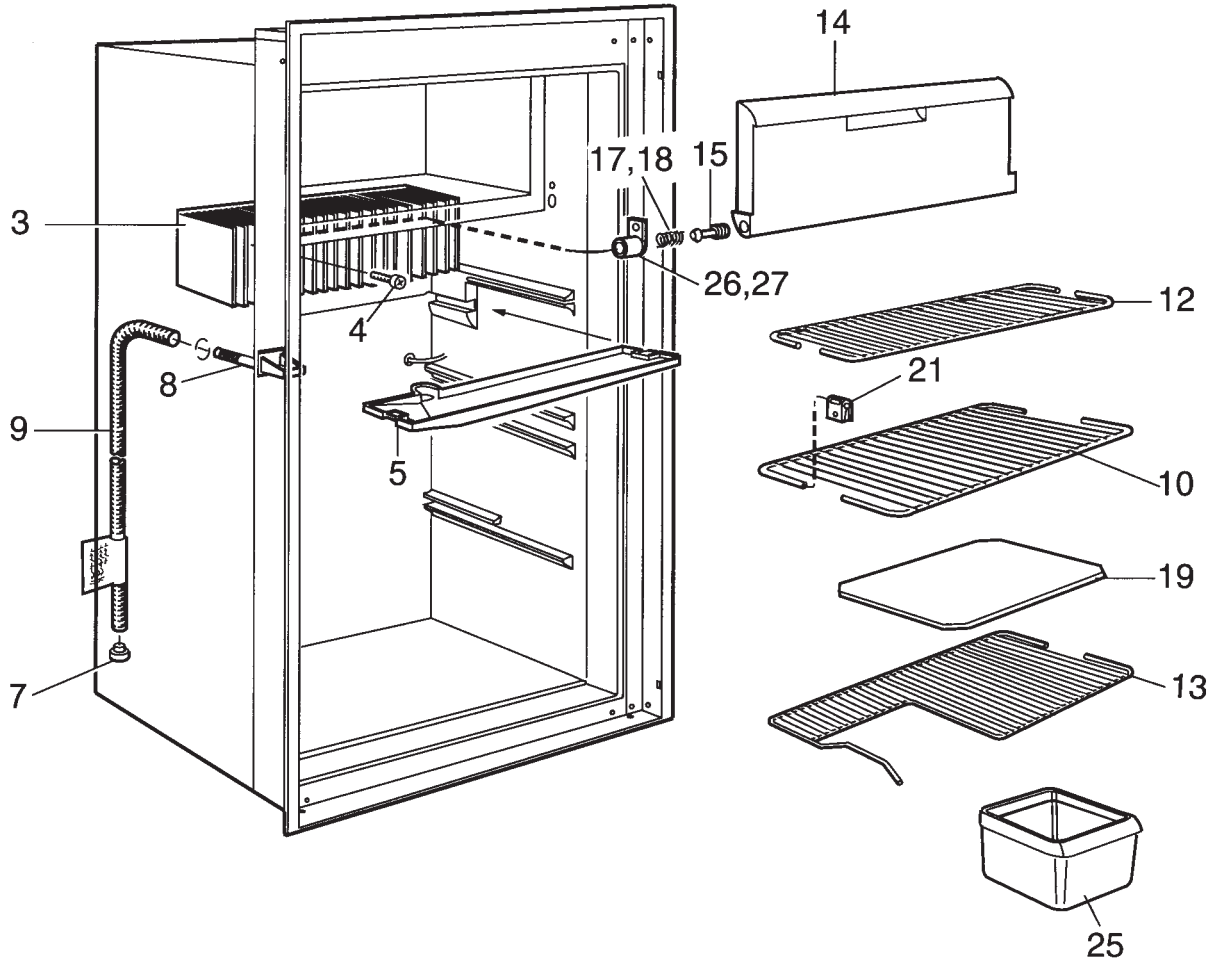
## CABINET, FRONT VIEW

A=921142109-RM2551

B=921142110-RM2551

Index No.	Part No.			Description
1	2932736099	A	B	Cover, gray
2	2932647015	A	B	Hinge pin
3	2932644061	A	–	Bracket, right, silver
	2932644053	–	B	Bracket, left, silver
4	2932643063	A	–	Hinge, silver
5	2932643055	–	B	Hinge, silver
11	2932649011	A	B	Hinge pin, lower
17	2932330018	A	B	Covering washer
18	2932771021	A	B	Panel, display board
19	3858002052	A	B	Screw, RXS B6 x 6.5 zinc
21	2932641067	A	B	Front, silver
29	2930740085	A	B	Cover, silver
30	2932776004	A	B	Instruction plate
32	3850585054	A	B	Plug, gray
34	2932855014	A	B	Fastening bow
35	2932660018	A	B	Rail
36	2932456011	A	B	Bracket, thermistor
37	2932690072	A	B	Base cover, silver
39	3858010089	A	B	Washer, zinc 5.5 x 12 x 1
44	3858039096	A	B	Screw, MRX M5 x 14 zinc
48	3858004058	A	B	Screw, MRX M4 x 4 zinc
107	3858010113	A	B	Washer, BRB 6.4 x 12.5
108	3858009040	A	B	Nut, ML6 M6 zinc
531	3858039047	A	B	Screw, MRX M4 x 10 zinc
999	2932750181	A	–	Door reversing kit, left-right silver
	2932750173	–	B	Door reversing kit, right-left silver

**CABINET, FRONT VIEW**



NCMOD2053378

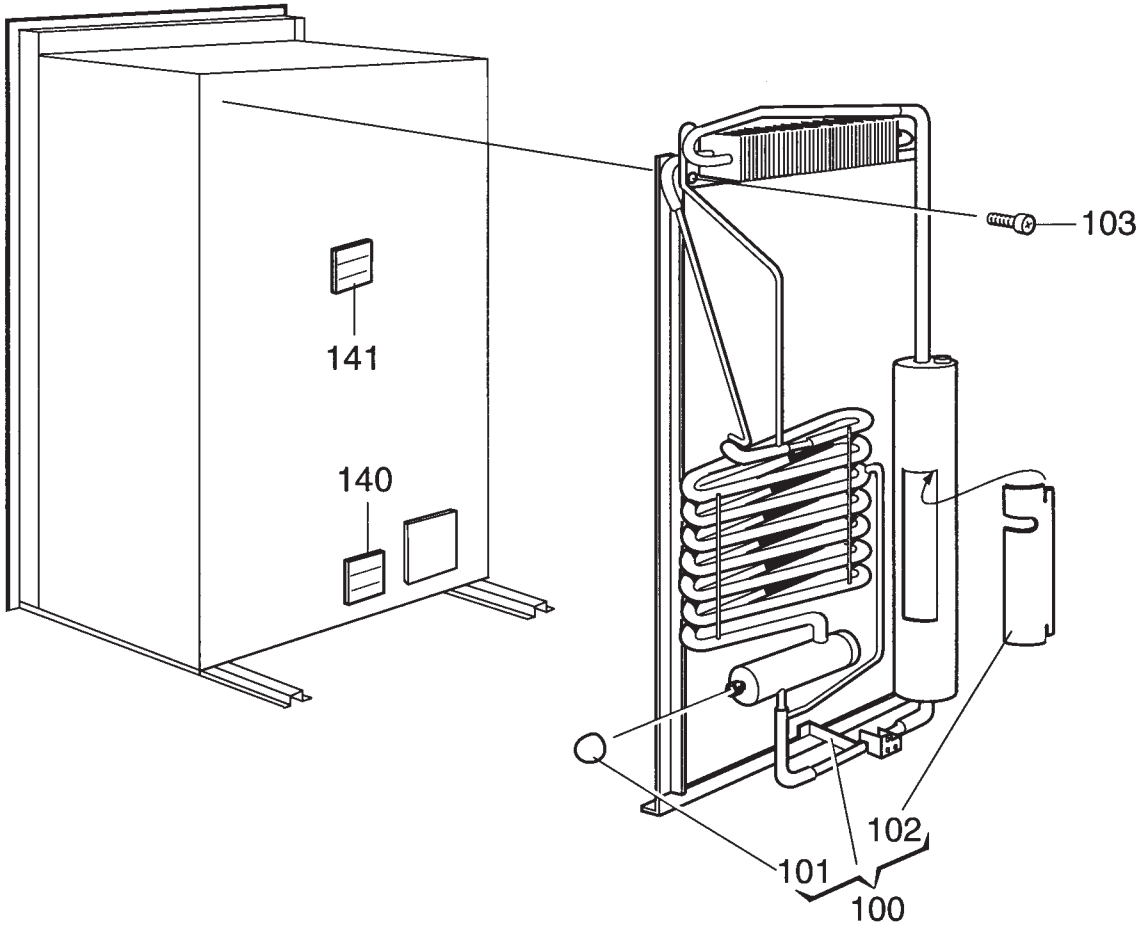
## CABINET, FRONT VIEW

A=921142109-RM2551

B=921142110-RM2551

<b>Index No.</b>	<b>Part No.</b>			<b>Description</b>
3	2932629013	A	B	Evaporator
4	3858036019	A	B	Screw,KFXS B10 x 38
5	2932623016	A	B	Evaporator tray
7	2932115013	A	B	Discharge pipe, plug
8	2932635010	A	B	Drain
9	2932749019	A	B	Drain hose
10	2932625029	A	B	Shelf
12	2932625060	A	B	Shelf
13	2932626142	A	B	Shelf
14	2932650019	A	B	Freezer door
15	2002238000	A	B	Carrier
17	2932754019	A	B	Spring, left
18	2932754027	A	B	Spring, right
19	2931117093	A	B	Shelf, plastic
21	2932668011	A	B	Shelf lock
25	2932621010	A	B	Crisper
26	2002236004	A	B	Spring casing, left
27	2002236012	A	B	Spring casing, right

**CABINET, REAR VIEW**

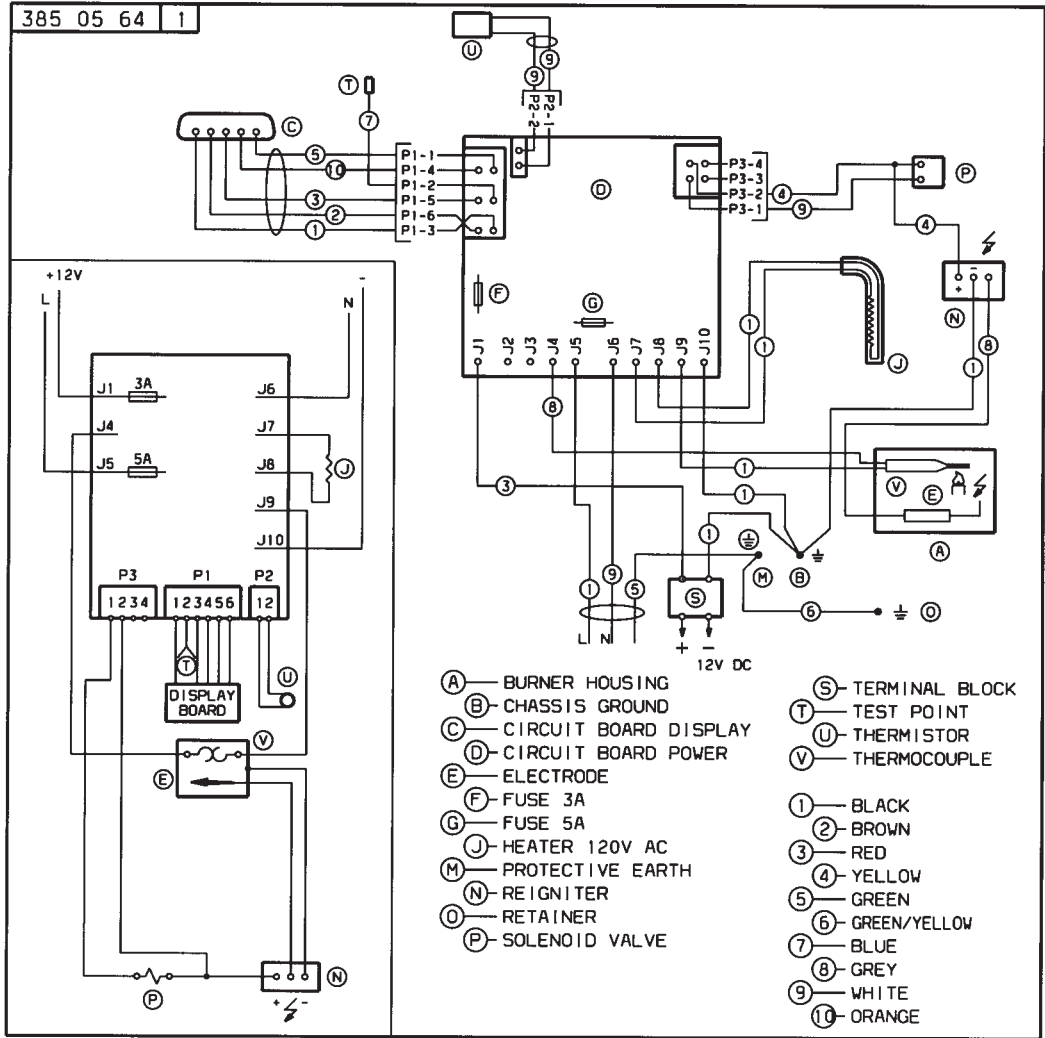


NCMOE2060413

**CABINET, REAR VIEW****A=921142109-RM2551****B=921142110-RM2551**

<b>Index No.</b>	<b>Part No.</b>			<b>Description</b>
100	2934509098	A	B	Cooling unit, 509
101	0173228008	A	B	Stopper
102	2933557007	A	B	Cover
103	3858020013	A	B	Screw, DK4.8 x 16P zinc
140	3850582002	A	B	Label
141	3850583000	A	B	Label
145	2002699037	A	B	Power cord (not shown)

**WIRING DIAGRAM**



N38505641

This manual has been provided courtesy of  
My RV Works, Inc.

[www.myrvworks.com](http://www.myrvworks.com)



You can find more RV service manuals here:

[www.myrvworks.com/manuals](http://www.myrvworks.com/manuals)

Over the years of running a mobile RV repair service, having a dedicated place to access service manuals for all the different appliances and components found on RVs was something that I always had a desire to create.

I hope this resource makes your RV repairs easier, as it has mine, but please be careful and follow proper safety practices when attempting to repair your own RV.

If in doubt, please consult with a professional RV technician!



DARREN KOEPP - OWNER, MY RV WORKS, INC.

*All service manuals provided on [www.myrvworks.com](http://www.myrvworks.com) are believed to be released for distribution and/or in the public domain.*