



**RM2552, RM2553
SPARE PARTS LIST**

Always state: When ordering spare parts
Model - Quantity - Part Number - Description
For electric details also:
Voltage - Wattage
Delete spaces and slashes in the part numbers



Product number	Model	Voltage V	Remarks	Wiring diagram	Remarks
921 14 20-01	RM2552	120V	LEFT	293 26 73-00	US, CA
921 14 20-02	RM2552	120V	RIGHT	293 26 73-00	US, CA
921 14 20-03	RM2553	12/120V	LEFT	293 26 74-00	US, CA
921 14 20-04	RM2553	12/120V	RIGHT	293 26 74-00	US, CA

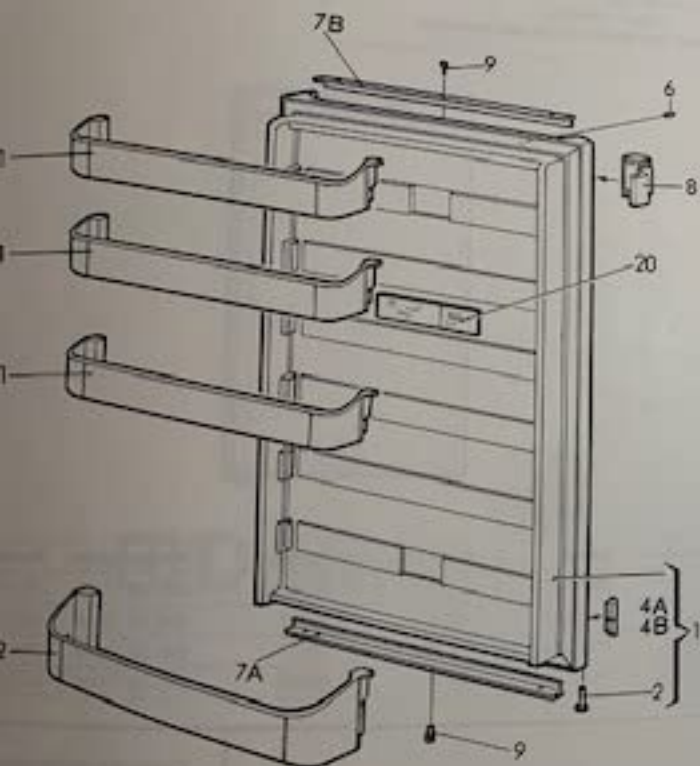
Caravan refrigerators

**RM2552
RM2553**

USA
Service Office
Dometic Corporation
509 South Popular St
La Grange, IN 46781

CANADA
Dometic Distribution Inc
886 Langs Drive
Cambridge, Ontario
N3H 2N7

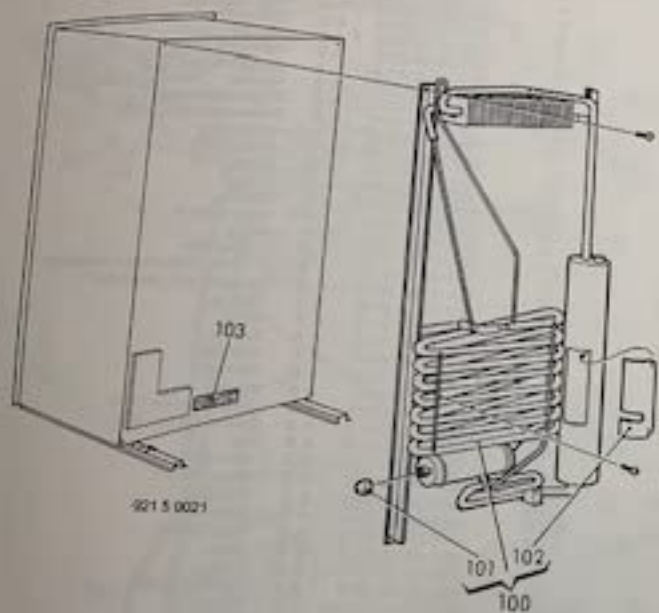
822 70 21-00



921.1 0025

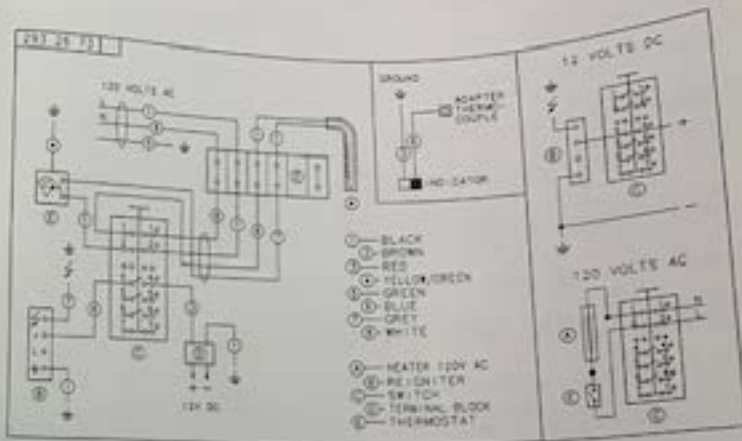
A = FM2552 (921 14 20-01)
 B = FM2552 (921 14 20-02)
 C = FM2553 (921 14 20-03)
 D = FM2553 (921 14 20-04)

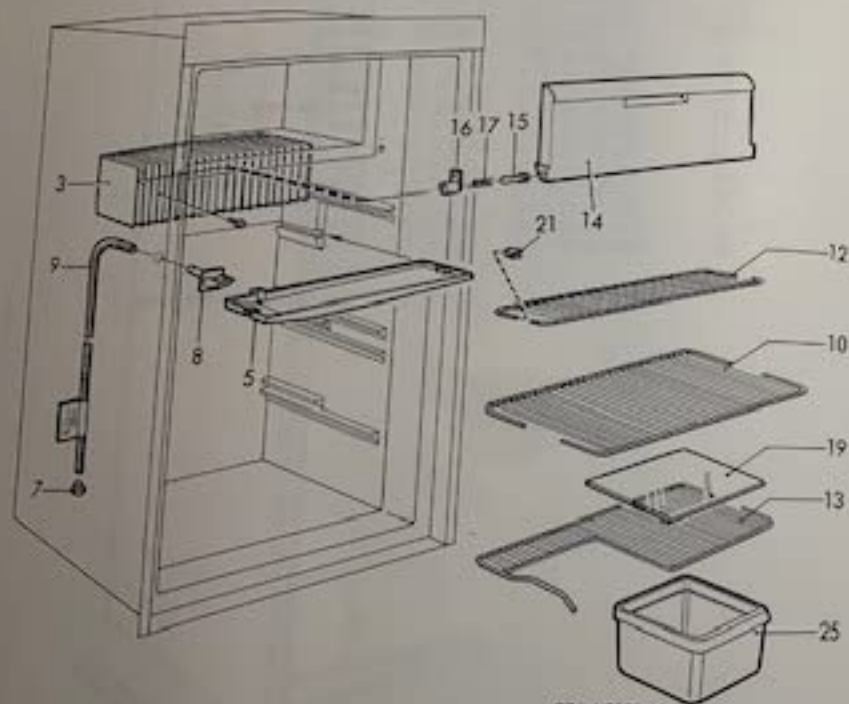
POS. NO	PART NO	DESCRIPTION
1	293 25 62-11/5	A - C - Door
2	293 25 62-12/3	- B - D Door
4A	293 11 71-01/7	A B C D Hinge bushing
4B	293 26 82-01/2	- B - D Plug, left
6	293 26 82-02/0	A - C - Plug, right
7A	293 25 88-01/1	A B C D Stop
7B	293 26 42-01/6	A B C D Decoration
8	293 26 42-04/0	A B C D Decoration
8	293 26 70-01/7	A B C D Handle
9	729 52 25-01/0	A B C D Screw, P0C5, D4x10, zincplated
11	293 25 76-01/6	A B C D Shelf door, 3 pieces
12	293 25 75-01/8	A B C D Shelf door
20	293 27 22-00/8	A B C D Label



921 5 0021

FIG NO	PART NO	DESCRIPTION
100	293 45 05-09/6	Cooling unit, 505
101	17 32 28-00/8	• Cap
102	293 35 57-05/7	• Cover
103	293 27 23-00/6	Label





A = FM2552 (921 14 20-01)
 B = FM2552 (921 14 20-02)
 C = FM2553 (921 14 20-03)
 D = FM2553 (921 14 20-04)

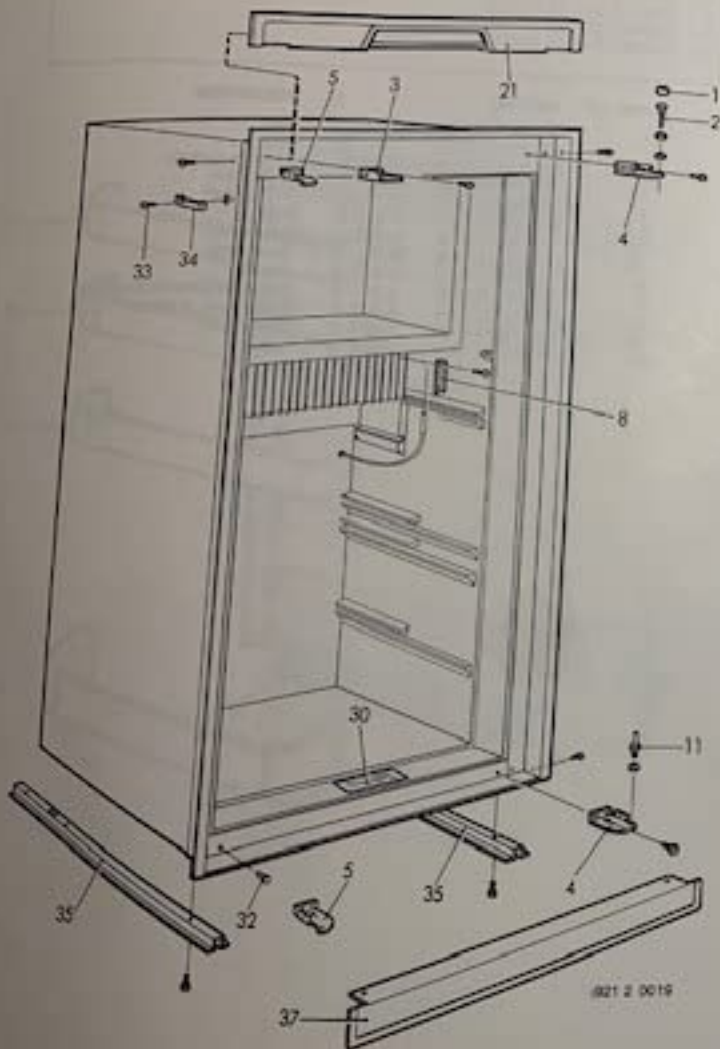
POS. NO.	PART NO.		DESCRIPTION
3			
5	293 26 29-01/3	A B C D	Cooling flange
7	293 26 23-01/6	A B C D	Drip protection
8	293 21 15-01/3	A B C D	Plug
9	293 26 35-01/3	A B C D	Drain
10	293 27 43-01/9	A B C D	Hose drainage
12	293 26 25-01/1	A B C D	Shelf
13	293 26 25-05/2	A B C D	Shelf
14	293 26 26-13/4	A B C D	Shelf
15	293 26 50-01/9	A B C D	Flap freezer-assy
16	200 22 35-00/0	A B C D	Driver
	200 22 36-00/4	A B C D	Spring casing, right
17	200 22 36-01/2	A B C D	Spring casing, left
	293 27 54-01/9	A B C D	Spring, left
19	293 27 54-02/7	A B C D	Spring, right
21	293 11 17-09/3	A B C D	Shelf, plastic
25	293 26 68-01/1	A B C D	Shelf support
	293 26 21-01/0	A B C D	Box vegetable

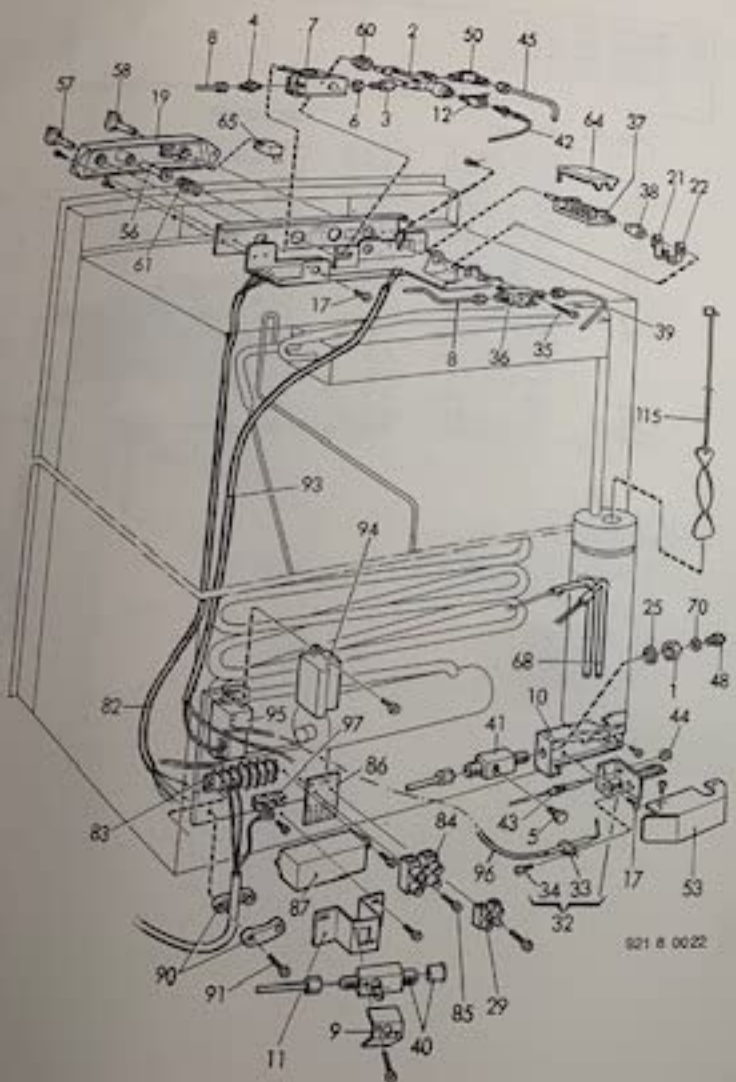
A = FM2552 (921 14 20-01)
 B = FM2552 (921 14 20-02)
 C = FM2553 (921 14 20-03)
 D = FM2553 (921 14 20-04)

POS. NO.	PART NO.		DESCRIPTION
----------	----------	--	-------------

1	293 27 35-01/6	A B C D	Plug
2	293 26 47-01/5	A B C D	Hinge pin, upper
3	293 26 44-02/0	A - C -	Bracket
4	293 26 44-01/2	- B - D	Bracket
5	293 26 43-02/2	A - C -	Hinge
6	293 26 43-01/4	- B - D	Hinge
11	289 00 50-00/4	A B C D	Clamp
21	293 26 49-01/1	A B C D	Hinge pin, lower
32	293 26 40-02/8	A B C D	Front
32	293 26 78-00/2	A B C D	Sign plate
33	293 27 42-01/4	A B C D	Plug
34	729 52 79-01/7	A B C D	Screw, FOXS, B6 x 10, zincplated
35	293 26 37-01/6	A B C D	Catch lever
37	293 26 60-01/8	A B C D	Runner
	293 26 90-02/3	A B C D	Base front

293 27 50-01/7 A B C D Door reversing kit, not shown





POS. NO	PART NO	DESCRIPTION
1		
2	14 02 07-04/4	A B Nut
3	293 18 56-01/7	A B Valve safety
4	293 25 31-01/5	A B Nipple
5	293 13 38-01/2	A B Nipple
6	16 93 85-01/3	A B Screw
7	295 40 70-00/3	A B Nut
8	293 13 36-01/6	A B Thermostat
9	293 26 19-01/4	A B Tube gas
10	293 25 99-01/8	A B Protection plate
11	293 26 05-01/6	A B Burner housing
12	295 20 62-01/7	A B Retainer
17	295 50 33-00/2	A B Nipple, thermostat
19	724 12 87-61/9	A B Screw, M4x8, zincplated
21	293 26 00-02/2	- B Panel front
22	293 26 00-04/8	- B Panel front
23	200 75 77-01/4	A B Spring
25	200 75 78-00/4	A B Spring
29	734 58 42-01/2	A B Washer
32	762 72 02-86/2	A B Terminal block
33	293 06 97-05/1	A B Burner
35	293 03 79-00/9	A B Electrode
34	729 52 21-01/9	A B Screw, F0x5, B6x6,5, zincplated
35	724 12 97-61/8	A B Screw, M4x25, zincplated
36	293 26 17-01/8	A B Cock gas
37	293 26 14-01/5	A B Switch
38	293 26 02-01/0	A B Flushing
39	293 26 18-02/4	A B Tube gas
40	293 26 16-01/0	A B Cock gas
41	293 12 27-01/7	A B Nipple
42	293 27 28-02/5	A B Couple thermo, 1000
43	293 27 26-03/3	A B Couple thermo, 500
44	280 10 43-01/5	A B Nut
45	293 26 20-02/0	A B Tube gas
48	200 74 19-16/7	A B Jet, nr 43
50	293 04 88-00/8	A B Coupling
53	293 26 61-01/6	A B Cover
56	293 25 96-03/4	A B Push button
57	293 26 05-01/3	A B Knob
58	293 26 07-01/9	A B Knob
60	293 25 95-01/6	A B Guiding device
61	293 25 94-01/9	A B Spring
64	295 40 23-00/4	A B Cover
65	295 50 37-01/1	A B Flame indicator
68	17 37 38-19/6	A B Heater, 210W, 120V
	17 37 39-06/1	- B Heater, 175W, 12V
70	200 74 57-00/1	A B Washer
82	295 44 27-02/3	A B Conductor, cpl.
83	293 25 92-01/3	A B Terminal block
84	293 04 83-01/9	- B Terminal block
85	729 52 87-40/8	- B Screw, F0x5, B6x25, stainless
86	293 25 97-01/3	A B Sign plate 12V
87	293 26 09-01/5	A B Cover
90	56 10 14-01/0	A B Anti-strain clip
91	729 52 85-40/2	A B Screw, F0x5, B6x10, stainless
93	295 44 20-01/0	A B Conductor
94	293 18 86-01/0	A B Cover
95	293 11 32-01/9	A B Spark ignition device
96	200 76 68-00/6	A B Conductor, electrode
97	293 03 27-00/9	A B Terminal rail
115	293 26 67-02/1	A B Baffle