



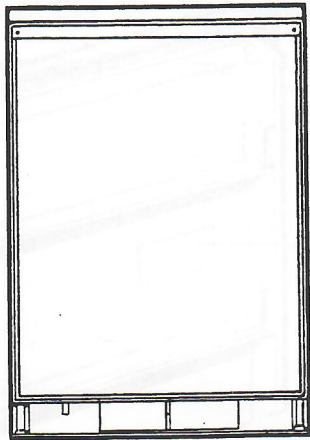
# RM2310 SPARE PARTS LIST

**When ordering spare parts**

**Always state:**  
 Model - Quantity - Part Number - Description

**For electric details also:**  
 Voltage - Wattage

**Delete spaces and slashes in the part numbers**

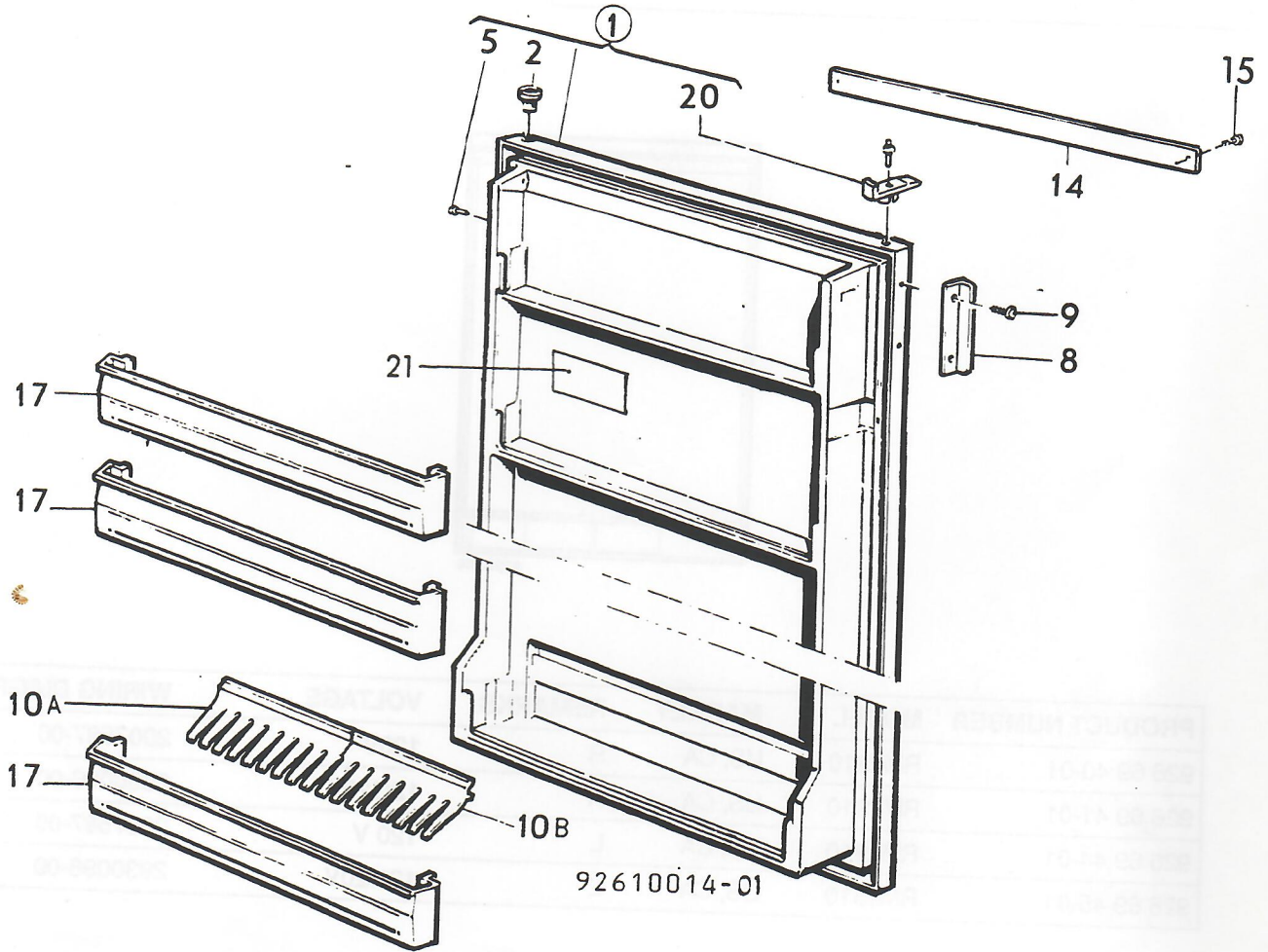


BFS00366

PRODUCT NUMBER	MODEL	MARKET	REMARKS	VOLTAGE	WIRING DIAGRAM
926 69 40-01	RM2310	US, CA	R	120V	2007587-00
926 69 41-01	RM2310	US, CA	R	12/120V	2930096-00
926 69 44-01	RM2310	US, CA	L	120 V	2007587-00
926 69 45-01	RM2310	US, CA	L	12/120V	2930096-00


	<p>Caravan refrigerators</p> <h2>RM2310</h2>
<p><b>USA</b>          Service Office          Dometic Corporation          509 South Popular St          La Grange, IN 46781</p>	<p><b>CANADA</b>          Dometic Distribution Inc          886 Langs Drive          Cambridge, Ontario          N3H 2N7</p>

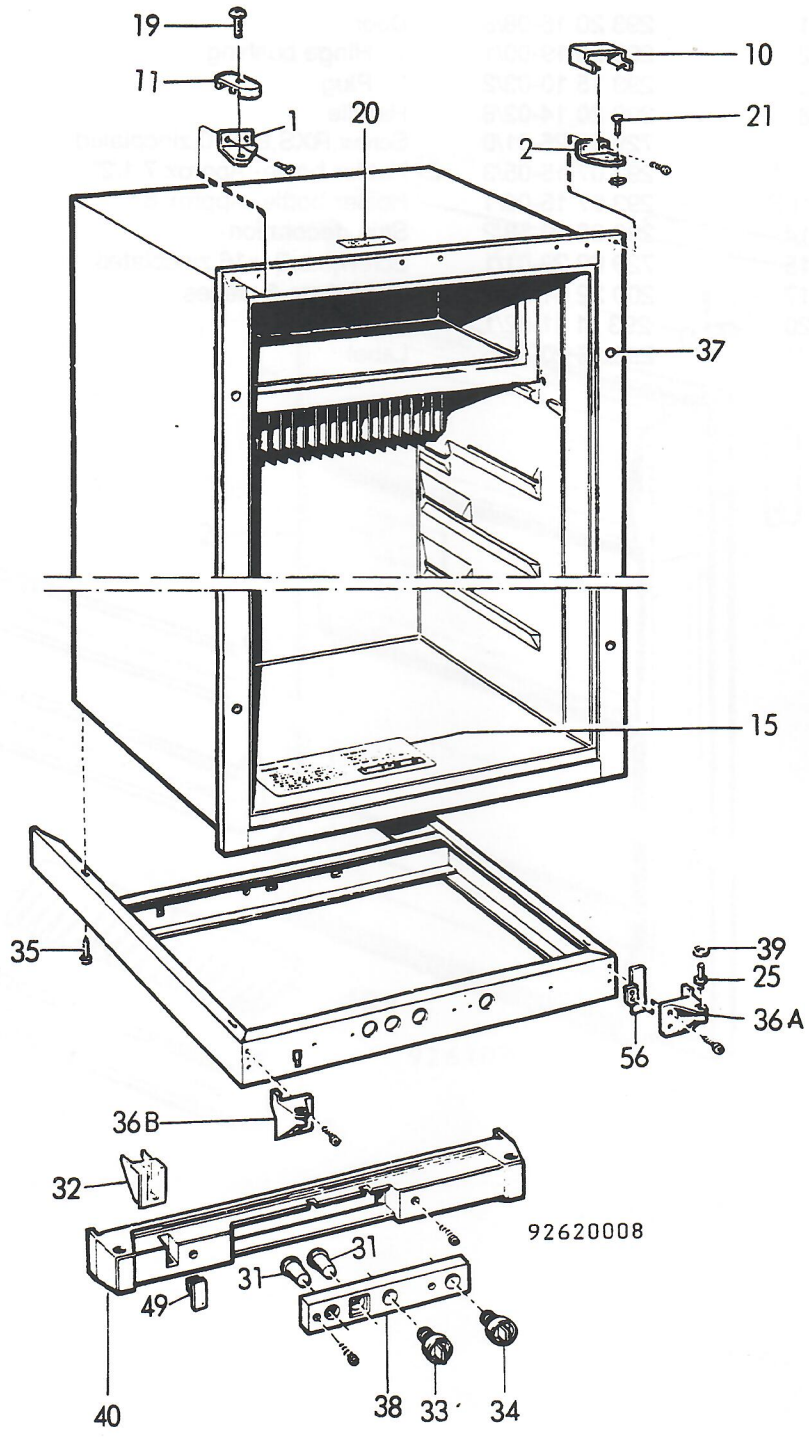
RM2310



---

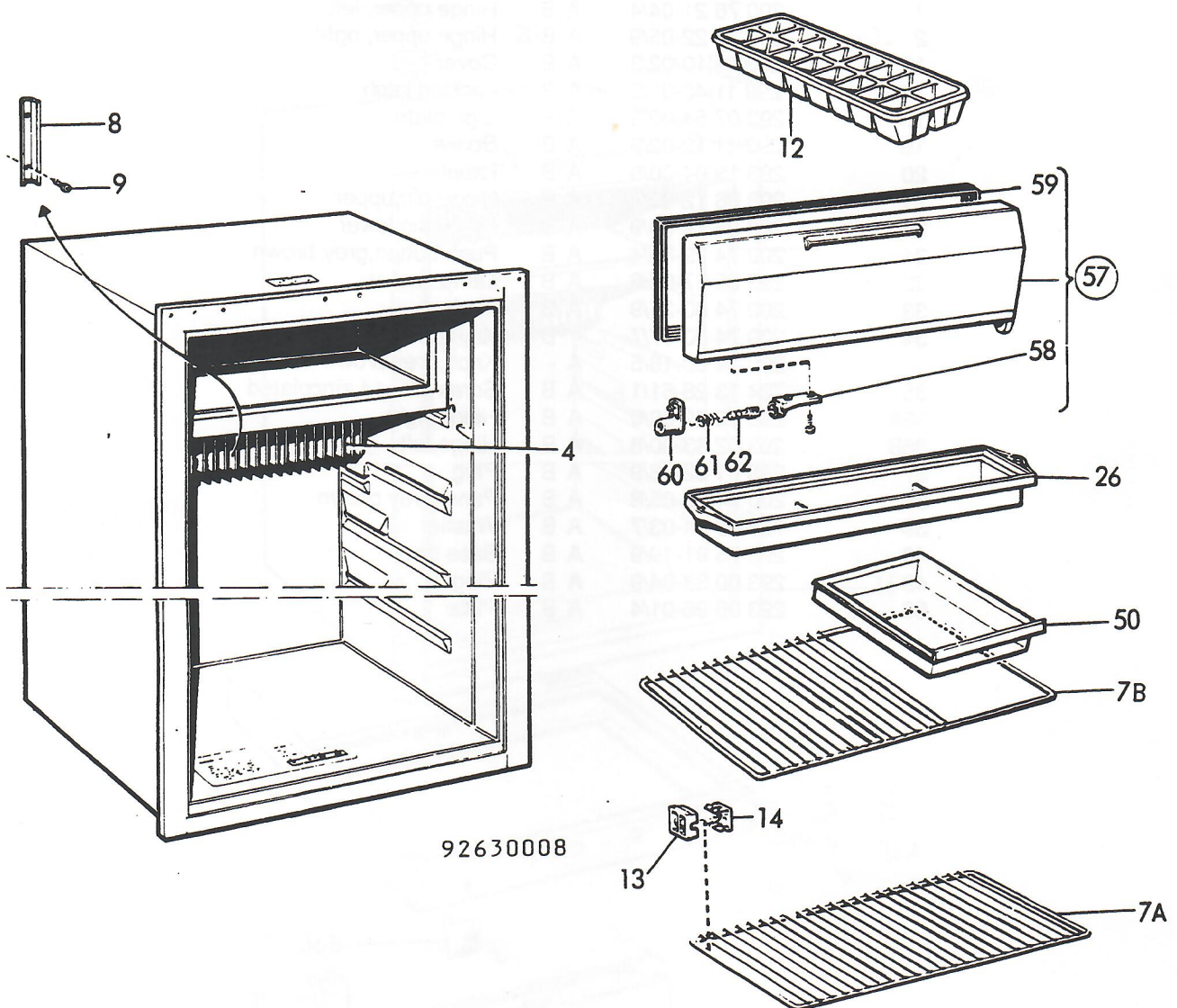
POS. NO	PART NO	DESCRIPTION
1	293 20 16-08/8	Door
2	200 26 19-00/1	* Hinge bushing
5	293 15 10-03/2	* Plug
8	293 20 14-02/6	Handle
9	729 52 25-01/0	Screw,RXS,B4x10,zincplated
10A	293 07 15-05/3	Holder bottle-,Approx 7 1/2"
10B	293 07 15-06/1	Holder bottle-,Approx 8"
14	293 06 40-58/2	Strip decoration-
15	729 62 29-01/1	Screw,fxs,B4x16,zincplated
17	200 22 61-22/6	Shelf door, 3 pieces
20	293 11 11-02/1	Strike
21	293 16 20-00/5	Label





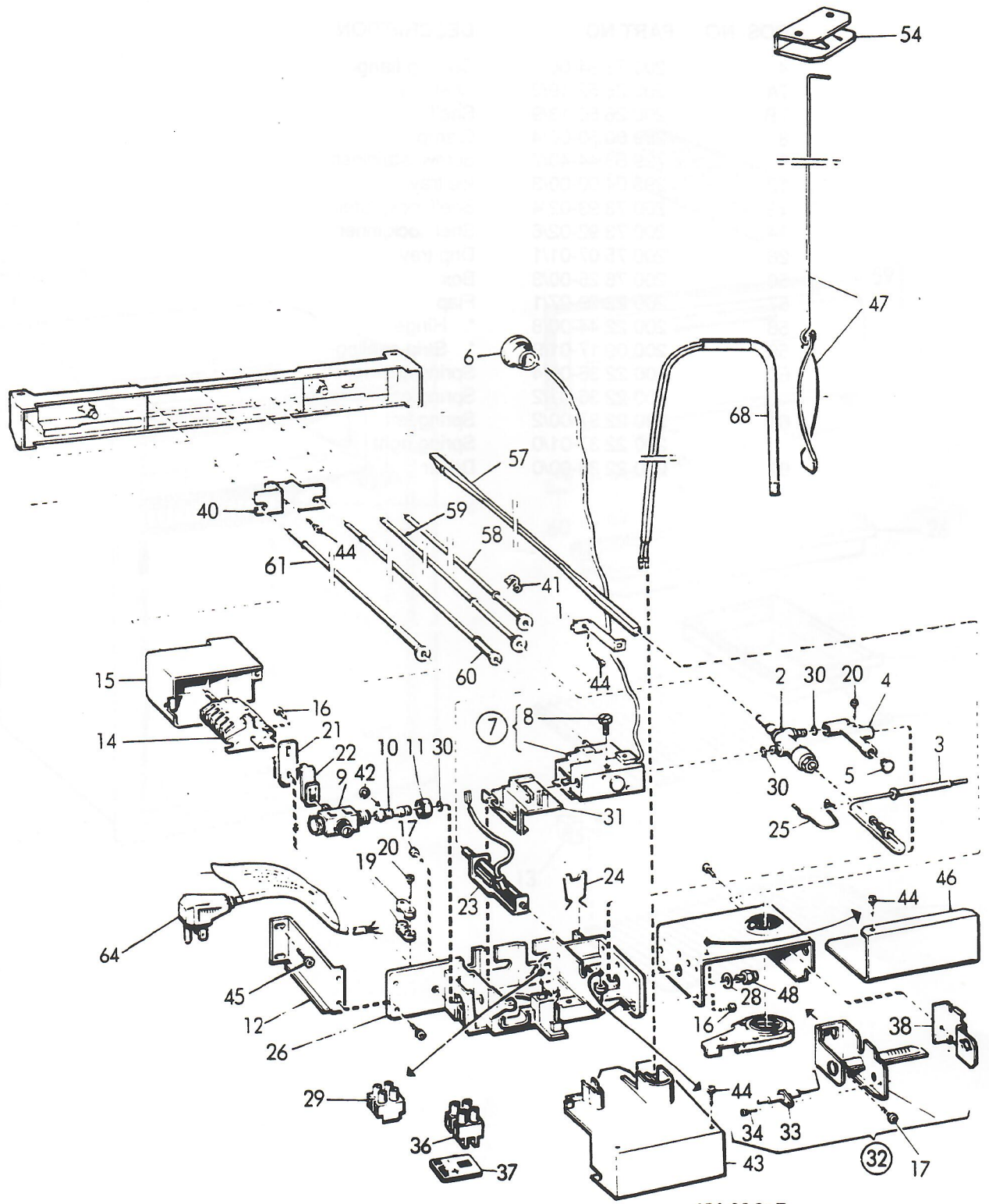
A = RM2310 (926 69 40-01, 926 69 44-01)  
 B = RM2310 (926 69 41-01, 926 69 45-01)

POS. NO	PART NO		DESCRIPTION
1	200 76 21-04/4	A B	Hinge,upper, left
2	200 76 22-05/9	A B	Hinge,upper, right
10	293 11 10-02/3	A B	Cover
11	293 11 40-01/2	A B	Locking latch
15	293 07 54-00/3	A B	Sign plate
19	293 11 12-02/9	A B	Screw
20	293 13 04-00/6	A B	Label
21	293 06 12-00/3	A B	Hinge pin,upper
25	293 06 14-00/9	A B	Hinge pin,lower
31	200 74 79-05/4	A B	Push button,grey brown
32	293 05 57-02/6	A B	Lamp socket
33	200 74 80-21/9	A B	Knob
34	200 74 80-17/7	- B	Knob,grey brown
	200 74 80-18/5	A -	Knob,grey brown
35	724 13 28-61/1	A B	Screw,M5x14,zincplated
36A	293 02 32-00/0	A B	Hinge,right
36B	293 02 33-00/8	A B	Hinge,left
37	293 01 32-06/9	A B	Plug
38	200 74 63-05/8	A B	Panel,grey brown
39	734 49 04-03/7	A B	Washer
40	293 05 91-19/9	A B	Base front
49	293 00 83-04/9	A B	Plug
56	293 06 96-01/4	A B	Plate



---

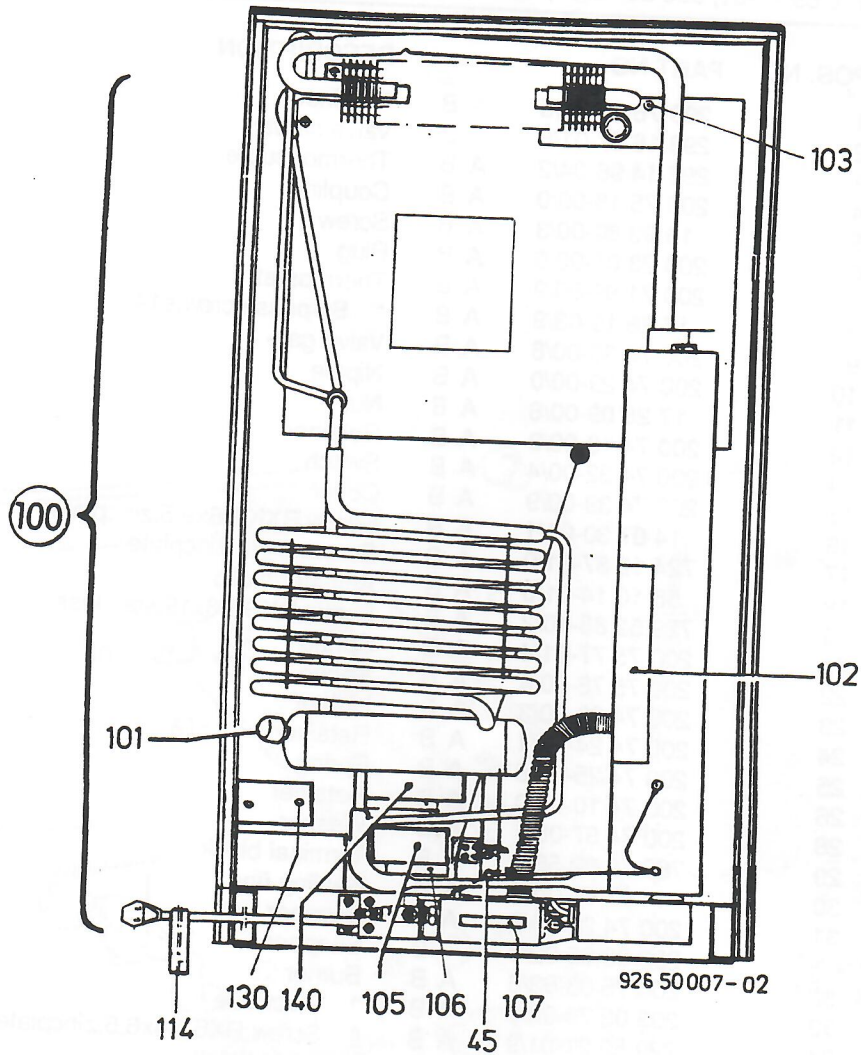
POS. NO	PART NO	DESCRIPTION
4	200 73 94-00/6	Cooling flange
7A	200 26 52-19/2	Shelf
7B	200 26 50-13/9	Shelf
8	289 00 50-00/4	Clamp
9	729 53 44-40/7	Screw,,stainless
12	293 04 00-00/3	Ice tray
13	200 73 93-02/4	Shelf lock,outer
14	200 73 92-02/6	Shelf lock,inner
26	200 75 07-01/1	Drip tray
50	200 76 25-00/3	Box
57	200 22 39-27/1	Flap
58	200 22 44-00/8	* Hinge
59	200 09 17-01/9	* Strip sealing-
60	200 22 36-00/4	Spring casing,left
	200 22 36-01/2	Spring casing,right
61	200 22 37-00/2	Spring,left
	200 22 37-01/0	Spring,right
62	200 22 38-00/0	Driver





A = RM2310 (926 69 40-01, 926 69 44-01)  
 B = RM2310 (926 69 41-01, 926 69 45-01)

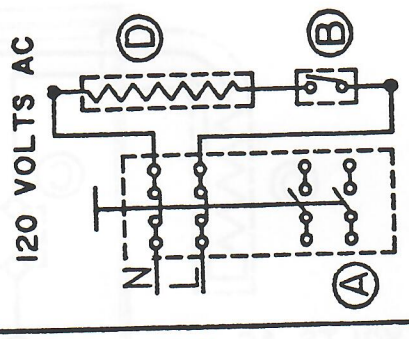
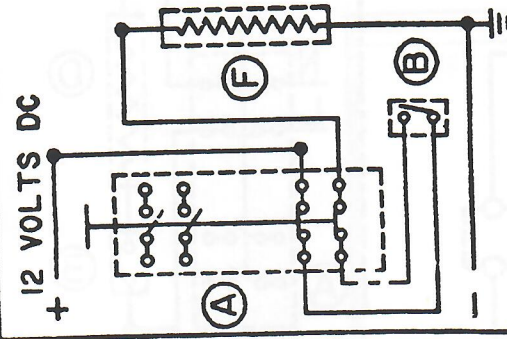
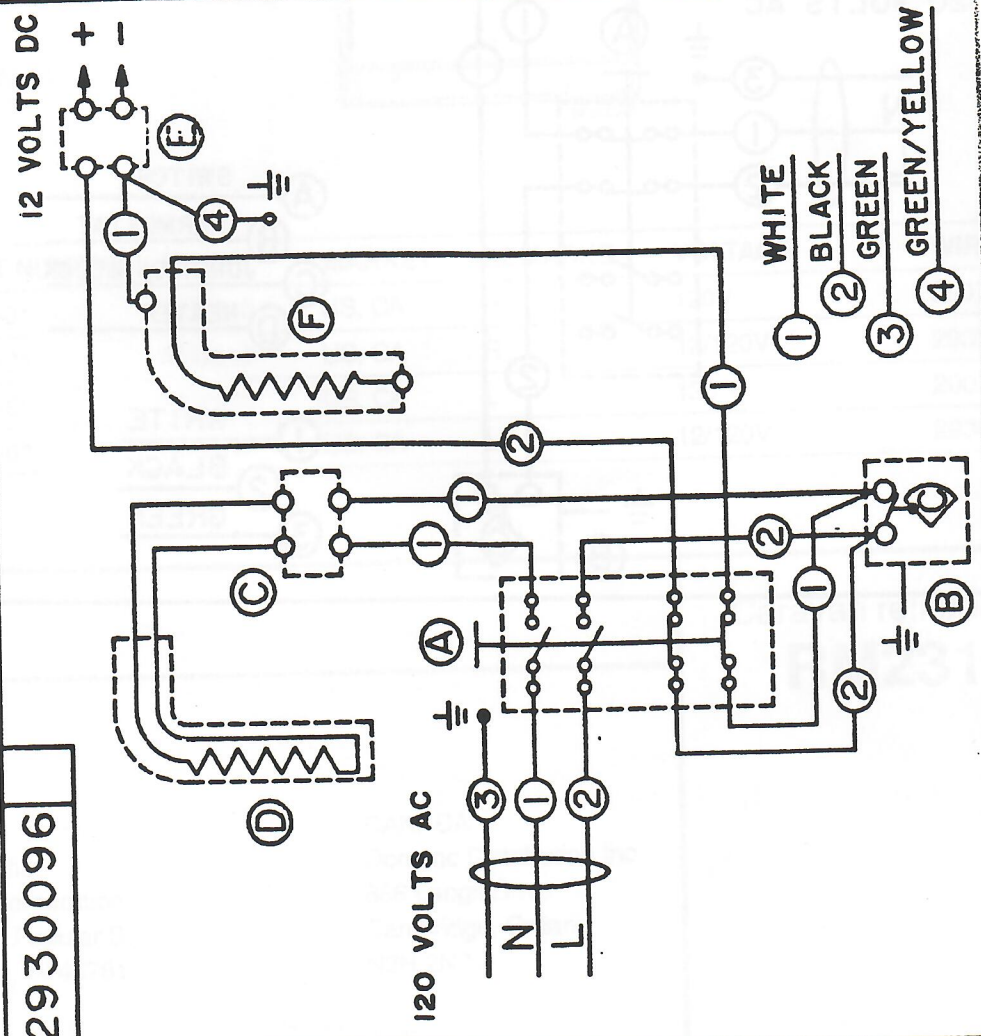
POS. NO	PART NO		DESCRIPTION
1	200 76 48-00/5	A B	Retainer
2	293 16 57-01/5	A B	Valve safety-
3	293 14 96-04/2	A B	Thermocouple
4	200 75 18-00/0	A B	Coupling
5	16 93 80-00/3	A B	Screw
6	200 23 01-00/6	A B	Plug
7	200 71 99-00/9	A B	Thermostat
8	17 28 19-03/9	A B	* By-pass screw,s14
9	200 74 30-00/8	A B	Valve gas-
10	200 74 29-00/0	A B	Nipple
11	17 28 09-00/6	A B	Nut
12	200 74 18-00/3	A B	Retainer
14	200 74 32-00/4	A B	Switch
15	200 74 39-00/9	A B	Cover
16	14 07 30-01/1	A B	Screw,RXK,B6x9,5,zincplated
17	724 12 87-61/9	A B	Screw,m4x8,zincplated
19	56 10 14-01/0	A B	Anti-strain clip
20	729 52 85-40/2	A B	Screw,RXS,B6x19,stailess
21	200 75 77-01/4	A B	Spring
22	200 75 78-00/4	A B	Spring
23	200 74 23-00/3	A B	Lighter
24	200 74 24-00/1	A B	Retainer
25	200 74 25-00/8	A B	Spring
26	200 74 10-00/0	A B	Retainer
28	200 74 57-00/1	A B	Washer
29	762 72 02-56/2	A B	Terminal block
30	14 07 48-00/5	A B	Sealing ring
31	200 74 28-00/2	A B	Snapper
	293 00 66-02/8	- B	Snapper
32	200 75 03-03/6	A B	Burner
33	293 03 79-00/9	A B	* Electrode
34	729 52 21-01/9	A B	* Screw,RXS,B4x6,5,zincplated
36	200 26 33-01/0	- B	Terminal block
37	200 74 52-00/2	- B	Sign plate,12 volt
38	200 76 51-00/9	A B	Guiding device
40	200 75 67-00/7	A B	Support plate
41	200 51 12-00/4	A B	Clamp
42	735 31 13-23/1	A B	E-ring,FN
43	200 74 40-00/7	A B	Cover
44	729 52 79-01/7	A B	Screw,RXS,B6x10,zincplated
45	724 12 89-61/5	A B	Screw,MRX,m4x10,zincplated
46	200 75 05-00/7	A B	Cover
47	200 75 90-00/9	A B	Baffle
48	200 74 19-15/9	A B	Jet,no39
54	200 75 98-00/2	A B	Flue top
57	200 74 78-02/3	A B	Light conductor
58	200 74 68-02/4	A B	Switch bar
59	200 74 68-03/2	A B	Switch bar
60	200 74 71-01/0	A B	Shaft
61	200 74 75-01/1	A B	Shaft
64	200 26 99-03/7	A B	Cord set
68	17 37 35-01/0	- B	Heater,125 w,12 V
	17 37 56-01/6	A B	Heater,160W,120 V



A = RM2310 (926 69 40-01, 926 69 44-01)  
 B = RM2310 (926 69 41-01, 926 69 45-01)

POS. NO	PART NO		DESCRIPTION
45	724 12 89-61/5	A B	Screw,MRX,m4x10,zincplated
100	293 43 34-99/2	A B	Cooling unit,334A
101	17 32 28-00/8	A B	* Cap
102	280 08 21-00/7	A B	* Flap
103	724 13 28-61/1	A B	Screw,M5x14,zincplated
105	200 75 71-00/9	A B	Sign plate, "Installation clearances"
106	200 75 74-00/3	A B	Sign plate, "Install only.."
107	200 76 89-00/9	- B	Label, "Important"
114	200 25 76-00/3	A B	Label, "Warning (Electrical grounding instructions)"
130	729 52 21-01/9	A B	Screw,RXS,B4x6,5,zincplated
140	200 25 77-00/1	A B	Label, "When testing..."

2930096



- A SWITCH
- B THERMOSTAT
- C JUNCTION BLOCK
- D HEATER
- E TERMINAL BLOCK
- F HEATER

- 1 WHITE
- 2 BLACK
- 3 GREEN
- 4 GREEN/YELLOW

